

TRUSHARE - Setup Guide

August 23, 2016

Dimension: 95mm(W) x 95mm(H) x 30mm(R)

↓ Front Cover

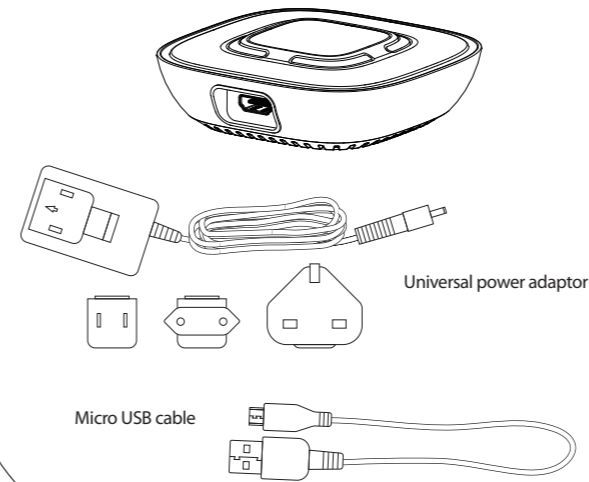
TRUSHARE

Setup Guide

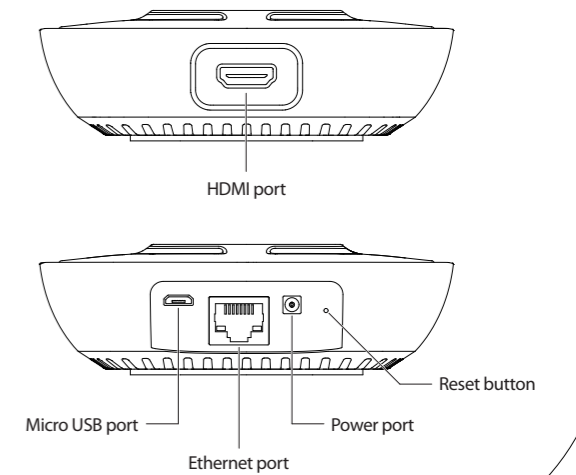
TRUSHARE is a unique pairing solution to wirelessly connect an HDMI source to a TRUCAST device, enabling seamless collaboration in meetings and classrooms.



What's in the box

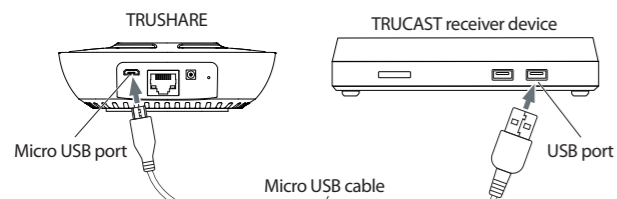


TRUShare at a glance



Pairing TRUSHARE (for the first time)

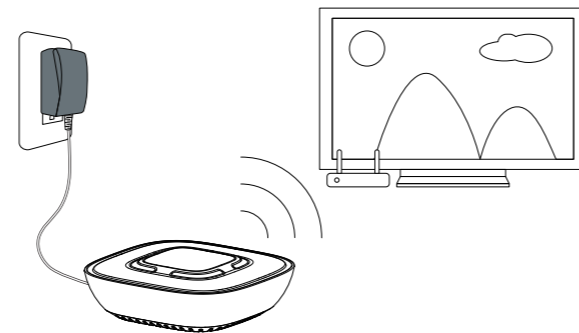
Attach the micro-USB cable to the TRUSHARE and the TRUCAST device to pair them together. TRUCAST's on-screen display will show "Pairing Complete" when the pairing is successful.



Please make sure TRUCAST Receiver and Display is available.

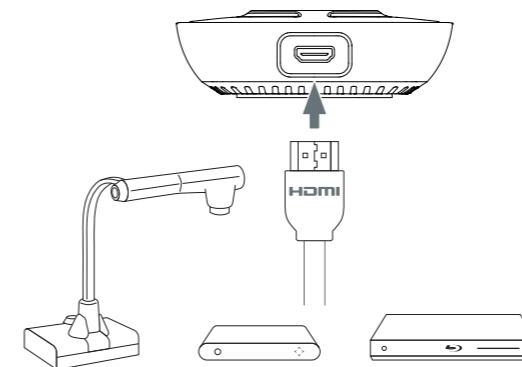
Turn on TRUSHARE

Connect the power cord to the TRUSHARE and the system will boot up and connect to the TRUCAST device automatically.



Connect the HDMI source

Attach the HDMI source to the TRUSHARE with an HDMI cable.



*Does not support HDCP content

Share content wirelessly

Press the center TRUSHARE button to wirelessly share content to the screen

