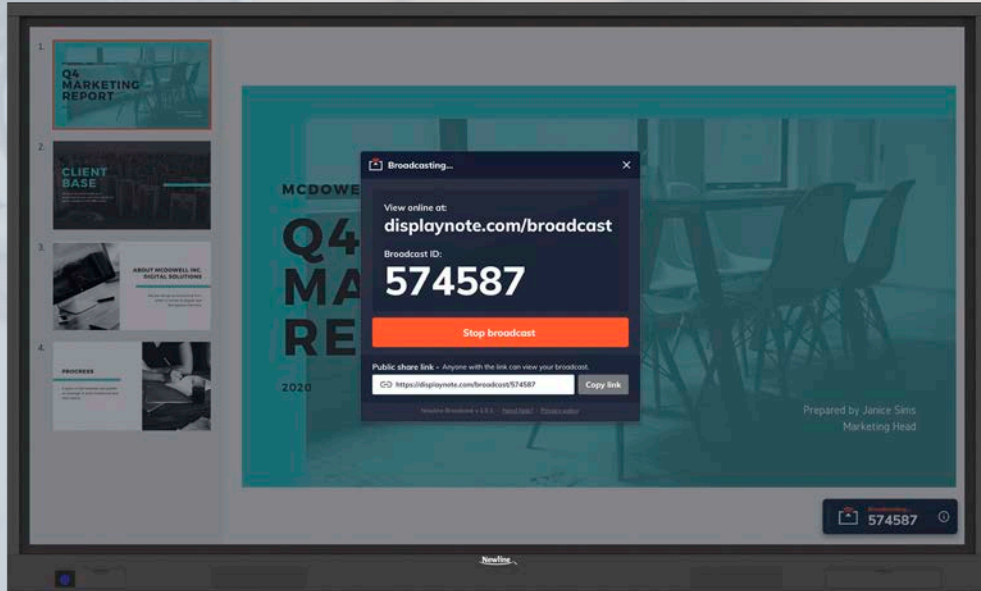


newline



Intelligent
Touch



Max. Viewing
Angle



Object
Recognition



Go Wireless



Win/iOS/Android/
Chrome
Compatibility



Device
Compatibility



Ultra Light
Weight



Energy
Efficiency

THE SUPERIOR INTERACTIVE DISPLAY FOR INTUITIVE TOUCH EXPERIENCE

This Series delivers the best visual experience ever and significantly reduces reflection and parallax due to the optical bonding technology used. It is highly responsive and provides lag-free multi-touch for the most intuitive and smoothest writing experience. This multi-function display is the perfect solution for conference rooms or higher education classrooms looking to communicate better and collaborate easier.

Newline VN Series features the following interactive ecosystem tools:

CAST

BROADCAST

DISPLAY MANAGEMENT

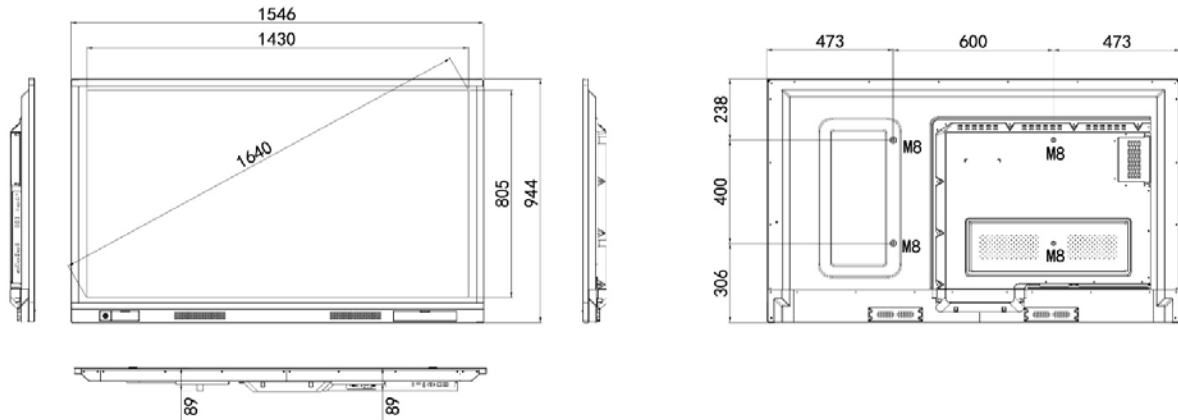
VN Series

VN Series

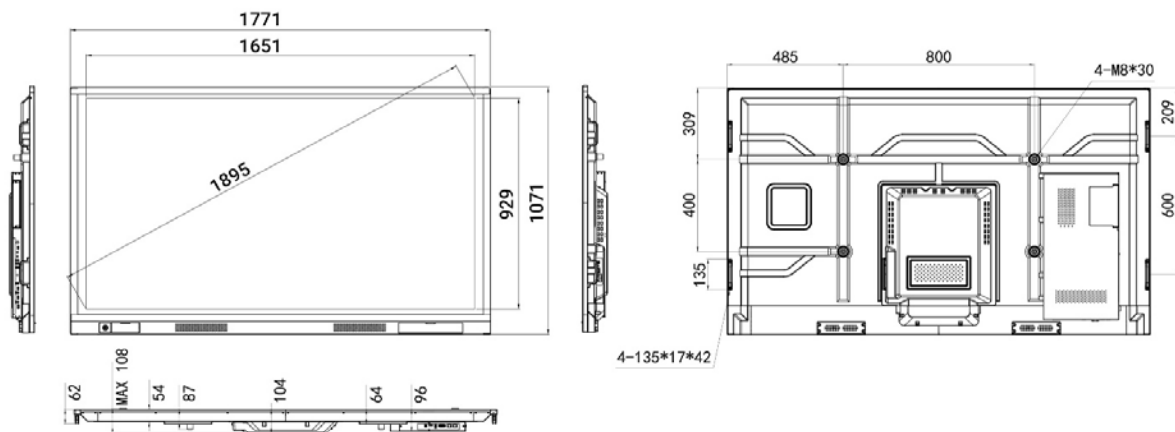
MODEL	TT-6518VN	TT-7518VN	TT-8618VN
Display			
Backlight	LED		
Active screen size	65"	75"	86"
Display ratio	16:09		
Resolution	3840 x 2160 Pixel (4K)	3840 x 2160 Pixel (4K)	3840 x 2160 Pixel (4K)
Display colors	8 bit (1.07 Billion)		10 bit (1.07 Billion)
Brightness	≥ 370cd/m2		
Contrast ratio (Dynamic)	4000:1		
Response time	8 ms		
Screen viewing angle	178°		
Life time	Minimum 30,000 hours		
Touch			
Touch surface	Anti-Glare and anti-fingerprint glass with Optical Bonding		
Transparency	88%		
Surface hardness	7H		
Touch sensor	Advanced Infrared Touch System		
Touch points	20 Points under Windows 10 Points under Android		
Writing tools	Stylus, finger, fist		
Positioning accuracy	±1mm	±1mm	±1mm
Communication interface	USB-A		
Speaker			
Speaker position	Forward		
Rated impedance	8Ω		
Frequency response	180Hz-20kHz	180Hz-20kHz	180Hz-20kHz
Max. Power output	15W x 2		
Electrical			
Power consumption supported	Maximum ≤250W	Maximum ≤400W	Maximum ≤450W
Working voltage	AC 100-240V, 50/60Hz		
Energy efficiency	A+	A+	A+
Transportation / Storage			
Mounting (optional)	Wall-mounted / Floor Stand		
Outline dimension	1547 x 944 x 89 mm	1771 x 1071 x 108 mm	2018 x 1211 x 104 mm
Net Weight	39 Kg	50 Kg	63 Kg
Gross weight	55 Kg	70 Kg	84 Kg
Packing dimensions	1725 x 1085 x 280 mm	1918 x 1195 x 280 mm	2180 x 1330 x 340 mm
VESA	600 x 400 mm	800 x 400 mm	800 x 400 mm
Embedded System			
CPU	ARM Cortex A53*4 1.4GHz		
RAM	2GB		
ROM	8GB		
System version	5.0.1		
Multimedia file formats support	Image: JPEG, BMP, PNG Video: MPEG1, MPEG2, MPEG4, SorensonH.263,H.263,H.264,HEVC/H.265,MVC,AVS,AVS+,WMV3,VC1,Motion JPEG,VP8,VP9,RV30/RV40 Audio:MPEG1/2 @LAYER1;@LAYER2;@LAYER3,EAC3,ACC-LC,HEAAC,VORBIS,LPCM,IMA-ADPCM,MS-ADPCM,G711 A/MU-LAW,LBR(COOK),FLAC		
Speciality			
Intelligent thermo protector	Yes		
Build in WIFI	802.11 a/b/g/n/ac embedded		
OPS PC	Optional		
Ports			
Front interface inputs	HDMI 1.4 (4K@30Hz) x 1, USB (Touch) x 1, USB 2.0 (Dynamic) x 2		
Rear AV inputs	HDMI 2.0 (4K@60Hz) x 2, HDMI 1.4 (4K@30Hz) x 1, DP1.2 (4K@60Hz) x 1, USB (Touch) x 4		
Rear AV outputs	HDMI out (Support 4K@60Hz, 1920x1080@60Hz, 720x480@60Hz) x 1, Line Out x 1, SPDIF out x 1		
Other	USB 2.0 (Dynamic) x 1, USB 3.0 (Dynamic) x 1, USB 2.0 (Embedded) x 1, RS232 x 1, RJ45 x 2 (in/Out), OPS Slots (4K@60Hz) x 1, DC 5V-2A out x 1		

Technical Drawings

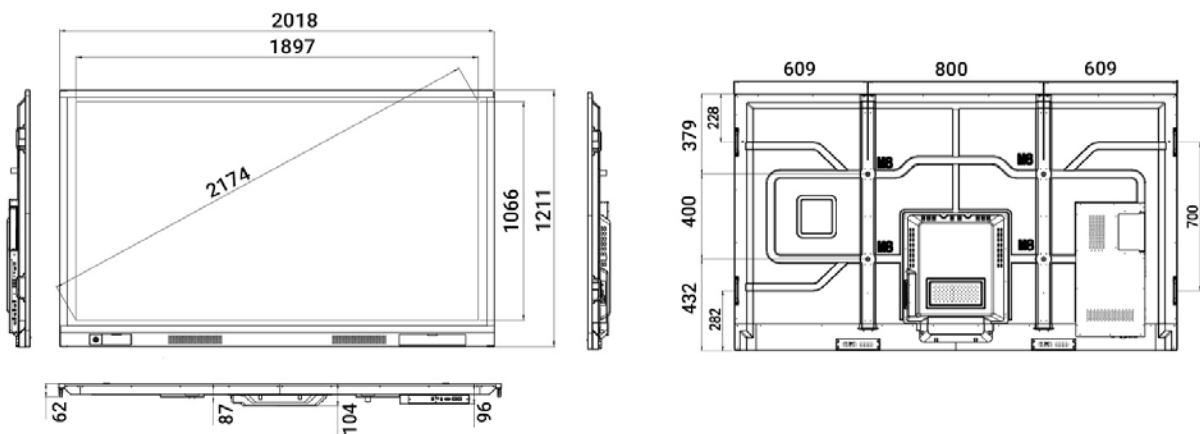
TT-6518VN



TT-7518VN




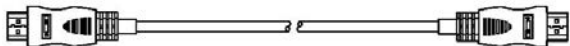
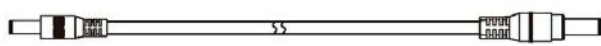
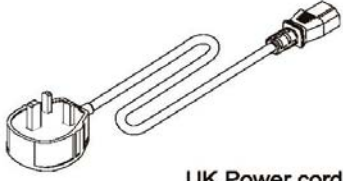
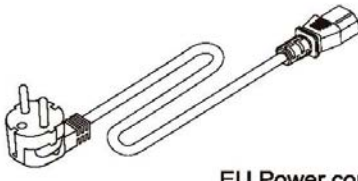






TT-8618VN



VN Series

Accessory Box Packing List

TT-6518VN	TT-7518VN	TT-8618VN
		5M USB cable (A-A) x1
		1.5M USB cable (A-A) x1
		3M Audio cable x1
		3M HDMI cable x1
		DC-DC x1
		UK Power cord x1
		EU Power cord x1
		Remote control x1
		Screen Cleaning Kit x1
		 AAA Battery x1
		Magnetic Pen x2

newline

NEWLINE INTERACTIVE INC.
101 East Park Blvd.
Suite 807 Plano,
TX 75074, USA
TEL: +1 888 233 0868

EUROPE OFFICE
Ronda de Poniente, N°2, 1st floor,
Oficina 1B, 28760,
Tres Cantos, Madrid, Spain
TEL: +34 911169178
info_eu@newline-interactive.com

ASIA PACIFIC OFFICE
17F, No. 653, Bannan Rd.,
Zhonghe Dist., New Taipei City
235, Taiwan
TEL: +886 282282089

INDIA OFFICE
Room No. 203, No.37, TTK Road,
Alwarpet, Chennai,
Tamil Nadu, India, 600018
TEL: +91 44 46945513

www.newline-interactive.com

2019 Newline Interactive Inc. Specification may vary by region, please contact our local offices for details. Actual product features and specifications are subject to change without notice. This material may include corporate names and trademarks of third parties which are the properties of the third parties respectively.