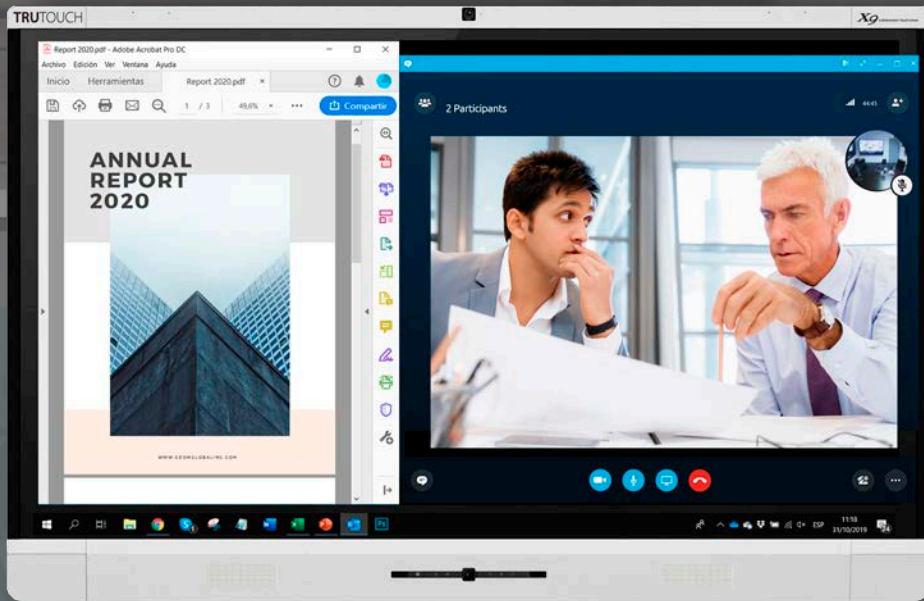
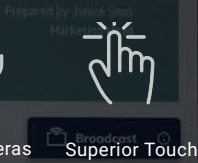


newline



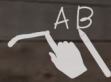
2 x Built-in cameras
4 x Micros array



Superior Touch



OPS



Object
Recognition



Max. Viewing
Angle



Go Wireless



Win/iOS/Android/
Chrome
Compatibility



Collaboration
Hub

THE UNMATCHED ALL-IN-ONE UNIFIED COLLABORATION SOLUTION

The X Series features an all-in-one solution for collaboration that is immersive, unified and effective. X Series is designed to make your meetings more efficient. The two built-in 1080p wide-angle cameras let you be seen from anywhere in the room. The microphone array reduces noise and cancels echo. Your voice can be heard clearly. Advanced InGlass touch enables responsive touch for a smooth and intuitive writing experience as natural as writing on paper. Optical bonding gives you an ultra-wide 178° viewing angle. No matter where you sit in the room, the image is robust and clear.

X Series allows you to meet, conference and collaborate without limitations. Share voice, video, data and annotations. Work in documents simultaneously as if you were in the same room with the people in the conference call. With the instant digital discussion board and on-screen annotation tool you never let an idea slip away.

Newline X Series features the following interactive ecosystem tools:

CAST

BROADCAST

DISPLAY MANAGEMENT

WORKSPACE

LAUNCHCONTROL

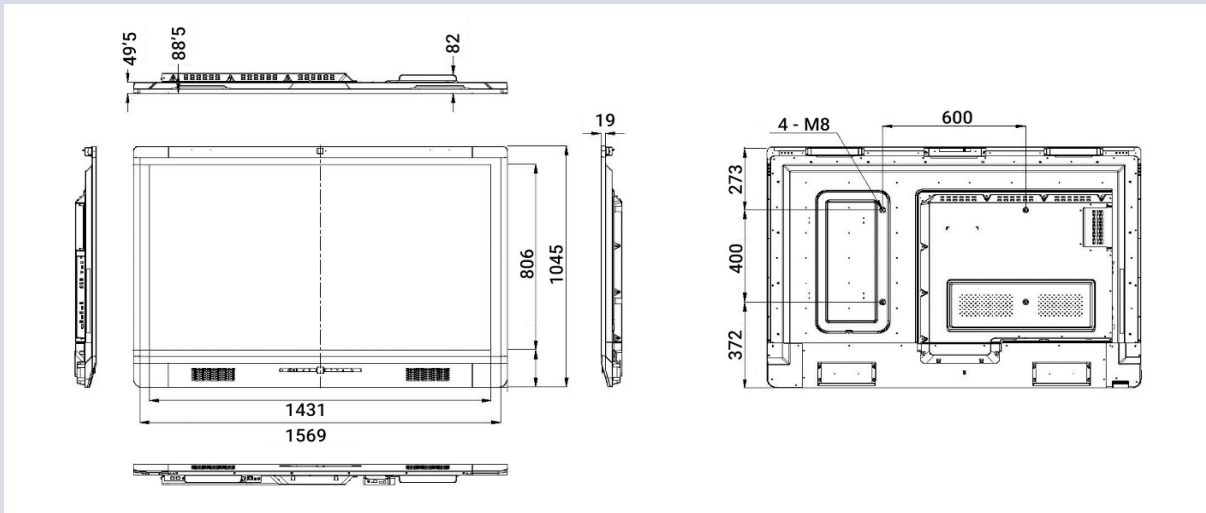
X Series

X Series

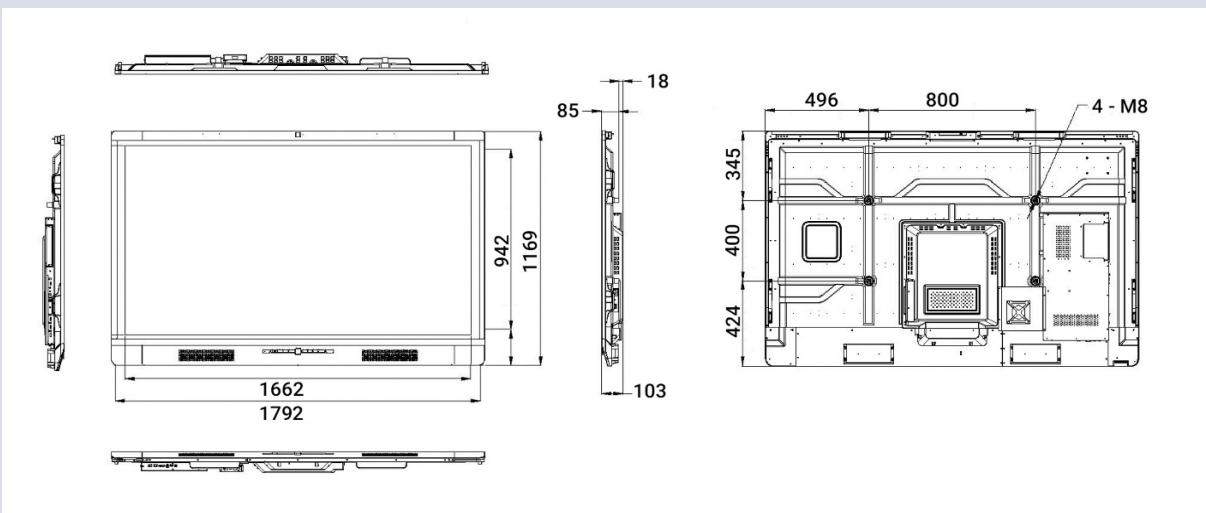
MODEL	X6	X8	X9
Display			
Backlight		LED	
Active screen size	65"	75"	86"
Display ratio		16:09	
Resolution	3840 x 2160 Pixel (4K)	3840 x 2160 Pixel (4K)	3840 x 2160 Pixel (4K)
Display colors	8 bit (1.07 Billion)		10 bit (1.07 Billion)
Brightness		≥ 370cd/m2	
Contrast ratio (Dynamic)		4000:1	
Response time		8 ms	
Screen viewing angle		178°	
Life time		Minimum 30,000 hours	
Touch			
Touch surface	Anti-Glare and anti-fingerprint glass with Optical Bonding		
Transparency	80%~90%		
Surface hardness	7H		
Touch technology	InGlass™ Technology		
Touch points	20 Points under Windows 10 Points under Android		
Writing tools	Stylus, finger, fist		
Positioning accuracy	<1mm	<1mm	<1mm
Communication interface	USB-A		
Speaker			
Speaker position	Forward		
Rated impedance	8Ω		
Frequency response	80~18K Hz	80~18K Hz	80~18K Hz
Max. power output	15W x 2		
Electrical			
Power consumption supported	Maximum ≤250W	Maximum ≤400W	Maximum ≤450W
Working voltage	AC 100-240V, 50/60Hz		
Energy efficiency	A	B	A
Transportation / Storage			
Mounting (optional)	Wall-mounted / Floor Stand		
Outline dimension	1569 x 1045 x 88mm	1792 x 1169 x 103mm	2039 x 1315 x 103mm
Net Weight	45 Kg	58 Kg	71 Kg
Gross weight	59.5 Kg	74 Kg	95 Kg
Packing dimensions	1725 x 1170 x 275 mm	1918 x 1295 x 275mm	2155 x 1400 x 310mm
VESA	600 x 400 mm	800 x 400 mm	800 x 400 mm
Embedded System			
CPU	ARM Cortex A53*4 1.4GHz		
RAM	2GB		
ROM	8GB		
System version	5.0.1		
Multimedia file formats support	Image: JPEG, BMP, PNG Video: MPEG1, MPEG2, MPEG4, SorensonH.263,H.263,H.264,HEVC/H.265,MVC,AVS,AVS+,WMV3,VC1,Motion JPEG,VP8,VP9,RV30/RV40 Audio:MPEG1/2 @LAYER1:@LAYER2:@LAYER3,EAC3,ACC-LC,HEAAC,VORBIS,LPCM,IMA-ADPCM,MS-ADPCM,G711 A/MU-LAW,LBR(COOK),FLAC		
Speciality			
Intelligent thermo protector	Yes		
Build in WIFI	802.11 a/b/g/n/ac embedded		
OPS PC	RAM 16GB, Wifi, 256 SSD, Intel i7, 7 th generation		
Ports			
Front interface inputs	HDMI 1.4 (4K@30Hz) x 1, USB (Touch) x 1, USB 2.0 (Dynamic) x 2, MIC (jack 3.5mm) x 1		
Rear AV inputs	HDMI 2.0 (4K@60Hz) x 2, HDMI 1.4 (4K@30Hz) x 1, DP1.2 (4K@60Hz) x 1, USB (Touch) x 4		
Rear AV outputs	HDMI out (Support 4k@60Hz, 1920x1080@60Hz, 720x480@60Hz) x 1, Line Out x 1, SPDIF out x 1		
Other	USB 2.0 (Dynamic) x 1, USB 3.0 (Dynamic) x 1, USB 2.0 (Embedded) x 1, RS232 x 1, RJ45 x 2 (in/Out), OPS Slots (4K@60Hz) x 1, DC 5V-2A out x 1		

Technical Drawings

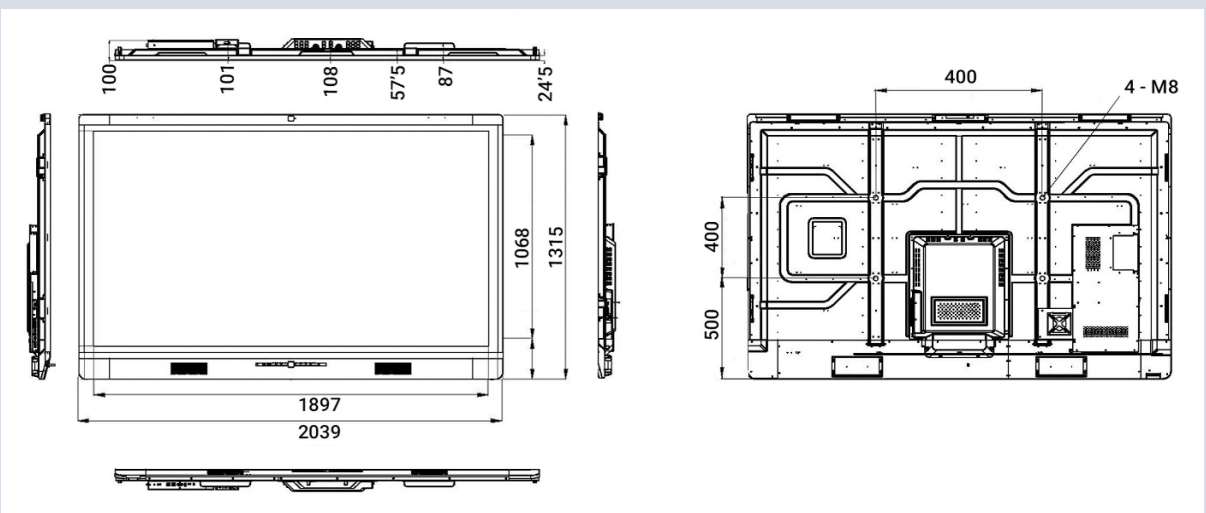
X6



X8



X9




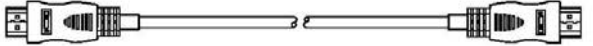
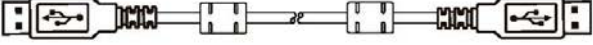
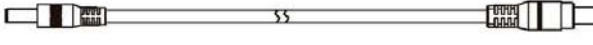
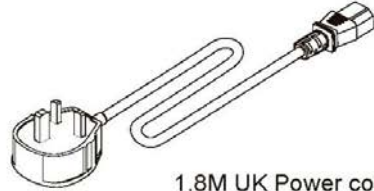
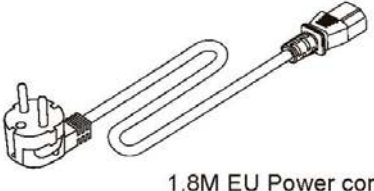






X Series

Accessory Box Packing List

X6

X8

X9

			3M USB cable (A-A) x1		
			3M HDMI cable x1		
			1.5M USB cable (A-A) x1		
			DC-DC x1		
		1.8M UK Power cord x1		1.8M EU Power cord x1	
	Screen Cleaning Kit x1		WiFi Antenna x1		Remote control x1
	Thick Pen x1		Fine Pen x1		AAA Battery x2

newline

NEWLINE INTERACTIVE INC.

101 East Park Blvd.
Suite 807 Plano,
TX 75074, USA
TEL: +1 888 233 0868

EUROPE OFFICE

Ronda de Poniente, N°2, 1st floor,
Oficina 1B, 28760,
Tres Cantos, Madrid, Spain
TEL: +34 911169178
info_eu@newline-interactive.com

ASIA PACIFIC OFFICE

17F, No. 653, Bannan Rd.,
Zhonghe Dist., New Taipei City
235, Taiwan
TEL: +886 282282089

INDIA OFFICE

Room No. 203, No.37, TTK Road,
Alwarpet, Chennai,
Tamil Nadu, India, 600018
TEL: +91 44 46945513

www.newline-interactive.com