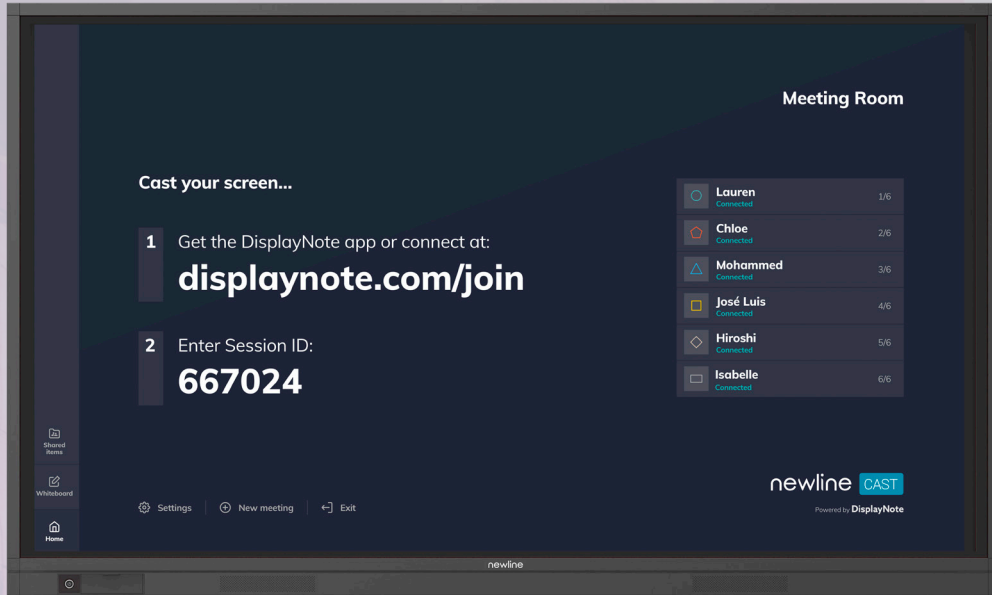


newline



Intelligent Touch



Based on Android 8.0



Multiple Connections



Object Recognition



Go Wireless



Win/iOS/Android/
Chrome
Compatibility



Dual Interface



Easiest to use



Energy Efficiency

THE HASSLE-FREE INTERACTIVE DISPLAY FOR CLASSROOMS

This Series allows a collaborative experience that lets students interact using a stylus or their fingers to write, and their fist to erase. The responsive RS+ Series displays lets multiple students touch and draw the display lag-free and simultaneously. Designed for education, it features all the Newline interactive ecosystem tools needed to engage students and spark passion for learning.

Newline RS+ Series features the following interactive ecosystem tools:

CAST

BROADCAST

DISPLAY MANAGEMENT

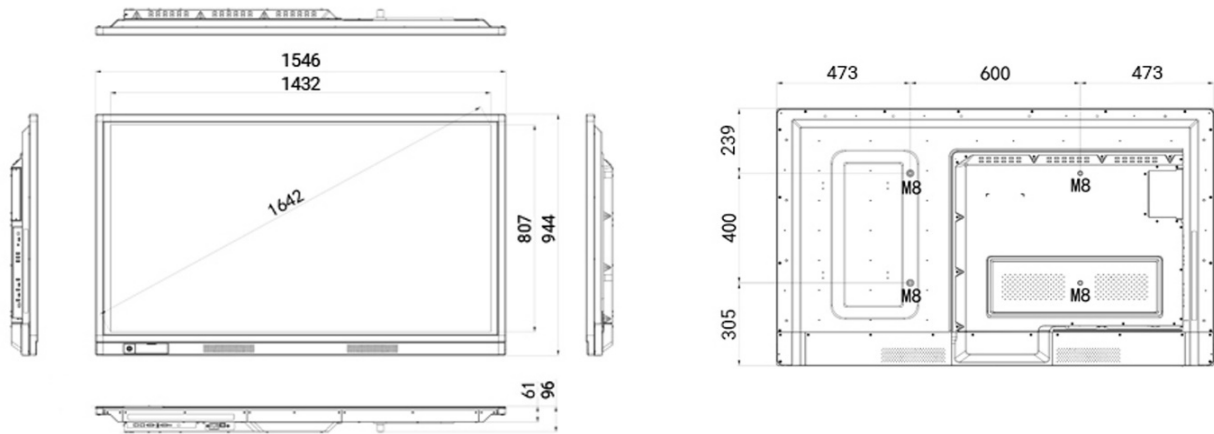
RS+ Series

RS⁺ Series

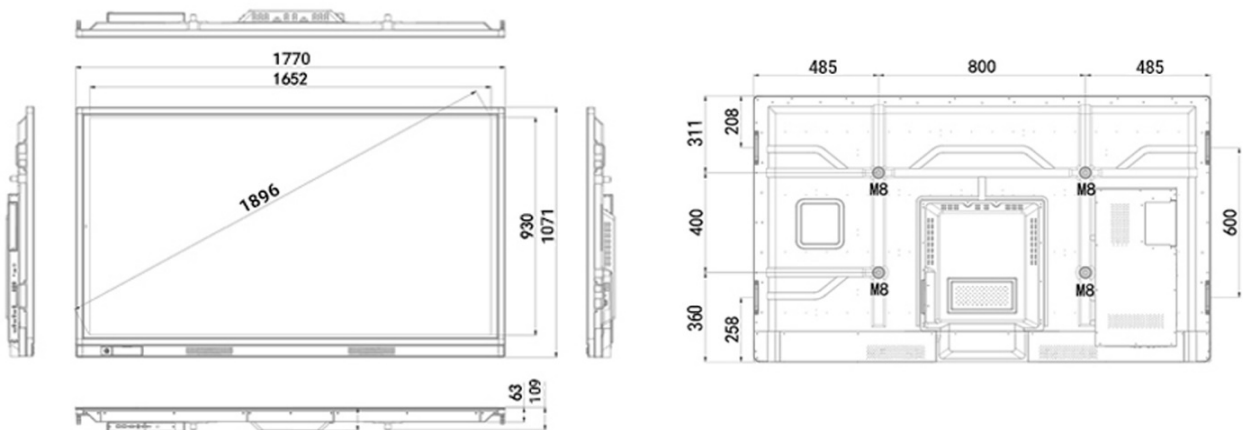
MODEL	TT-6519RS	TT-7519RS	TT-8619RS
Display			
Backlight	LED		
Active screen size	65"	75"	86"
Display ratio	16:9		
Resolution	3840 x 2160 Pixel (4K)		
Display colors	8 bit (1.07 billion)		10 bit (1.07 billion)
Brightness	≥ 370cd/m2		
Contrast ratio (Dynamic)	4000:1		
Response time	8 ms		
Panel viewing angle	178°		
Life time	Minimum 30,000 hours		
Touch			
Touch surface technology	Anti-glare tempered glass and anti-fingerprint		
Transparency	>88%		
Surface hardness	7H		
Touch sensor	Advanced Infrared Touch System		
Touch points	20 Points under Windows 10 Points under Android		
Writing tools	Stylus, finger, fist		
Positioning accuracy	±1mm	±1mm	±1mm
Communication interface	USB-A		
Speaker			
Speaker position	Forward		
Rated impedance	8Ω		
Frequency response	180Hz-20kHz	180Hz-20kHz	180Hz-20kHz
Max. power output	15W x 2		
Electrical			
Power consumption supported	Maximum ≤250W	Maximum ≤400W	Maximum ≤450W
Working voltage	AC 100-240V, 50/60Hz		
Energy efficiency	A+	A+	A+
Transportation / Storage			
Mounting (optional)	Wall-mounted / Floor Stand		
Outline dimension	1546 x 944 x 96mm	1770 x 1071 x 109mm	2019 x 1212 x 109mm
Net weight	44 Kg	56 Kg	72 Kg
Gross weight	59 Kg	73 Kg	93 Kg
Packing dimensions	1670 x 1056 x 221mm	1894 x 1193 x 247mm	2170 x 1345 x 275mm
VESA	600 x 400 mm	800 x 400 mm	800 x 400 mm
Embedded System			
CPU	ARMv8 A73*2+A53*2 (A53 : 1.05-1.3GHz; A73 : 1.15-1.5GHz)		
RAM	3 GB		
ROM	16 GB + 32GB Flash Memory		
System version	8.0.0		
Multimedia file formats support	Image: JPEG, BMP, PNG Video: MPEG1, MPEG2, MPEG4, SorensonH.263,H.263,H.264,HEVC/H.265,MVC,AVS,AVS+,WMV3,VC1,Motion JPEG,VP8,VP9,RV30/RV40 Audio:MPEG1/2 @LAYER1;@LAYER2;@LAYER3,EAC3,ACC-LC,HEAAC,VORBIS,LPCM,IMA-ADPCM,MS-ADPCM,G711 A/MU-LAW,LBR(COOK),FLAC		
Speciality			
Intelligent thermo protector	Automatic Hibernate when over heated		
OPS PC	Optional		
WIFI Dongle	802.11 a/b/g/n/ac		
Ports			
Front interface inputs	HDMI 1.4 (4K@30Hz) x 1, USB (Touch) x 1, USB 2.0 (Dynamic) x 2, MIC (jack 3.5mm) x 1		
Rear AV inputs	HDMI 2.0 (4K@60Hz) x 2, DP1.2 (4K@60Hz) x 1, VGA (1920x1080@60Hz) x 1 + PC Audio x 1, USB (Touch) x 4		
Rear AV outputs	HDMI out (Support 4k@60Hz, 1920x1080@60Hz, 720x480@60Hz) x 1, Line Out x 1, SPDIF out x 1		
Other	USB 2.0 (Dynamic) x 1, USB 3.0 (Dynamic) x 1, USB 2.0 (Embedded) x 1, RS232 x 1, RJ45 x 2 (in/Out), OPS Slots (4K@60Hz) x 1, DC 5V-2A out x 1		

Technical drawings

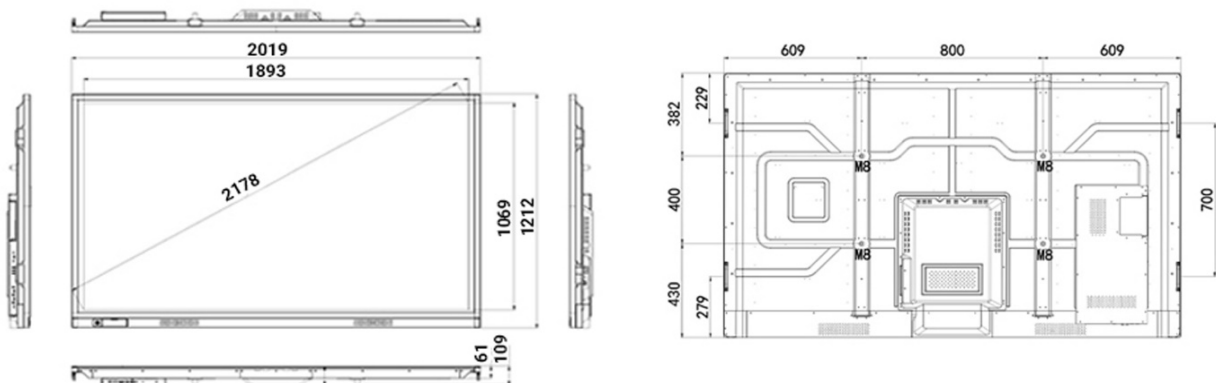
TT-6519RS



TT-7519RS



TT-8619RS



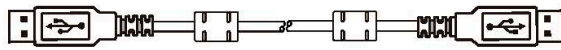
RS⁺ Series

Accessory Box Packing List

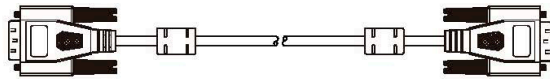
TT-6519RS

TT-7519RS

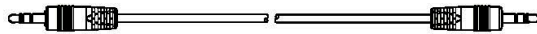
TT-8619RS



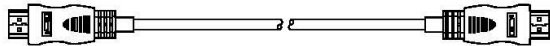
USB cable (A-A) **x1**



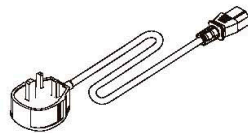
VGA cable **x1**



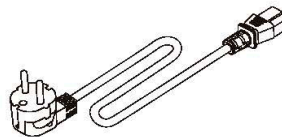
Audio cable **x1**



HDMI cable **x1**



UK Power cord **x1**



EU Power cord **x1**



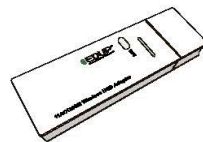
Screen Cleaning Kit **x1**



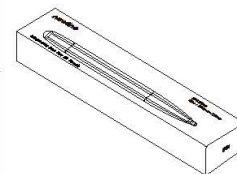
Remote control **x1**



AAA Battery **x2**



Dual Wi-Fi dongle **x1**



Magnetic Pen **x2**

newline

NEWLINE INTERACTIVE INC.

101 East Park Blvd.
Suite 807 Plano,
TX 75074, USA
TEL: +1 888 233 0868

EUROPE OFFICE

Ronda de Poniente, N°2, 1st floor,
Oficina 1B, 28760,
Tres Cantos, Madrid, Spain
TEL: +34 911169178
info_eu@newline-interactive.com

ASIA PACIFIC OFFICE

17F, No. 653, Bannan Rd.,
Zhonghe Dist., New Taipei City
235, Taiwan
TEL: +886 282282089

INDIA OFFICE

Room No. 203, No.37, TTK Road,
Alwarpet, Chennai,
Tamil Nadu, India, 600018
TEL: +91 44 46945513

www.newline-interactive.com