

newline **IFPI-19X**

Wall Mounts for Interactive Display

newline's wall mount solutions make installation a breeze. The compact designs make it easy to mount the panel as well as adjust the height of the display.

This lower profile wall mount gives the IFPI-19X unit a stylish appearance, while maintaining the strength of its durable dual steel frames. The open wall plate provides space to pass cables. And the easy can be moved by hand, no need to use tools.



FEATURES:

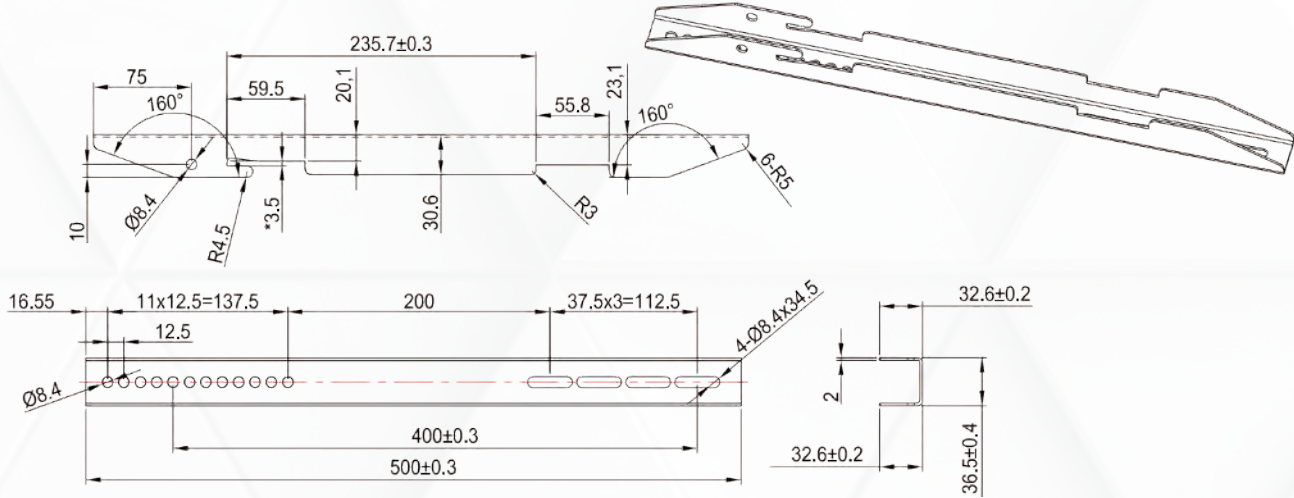
- Supports sizes are 55", 65", 70", 75", 80", 86".
- Weight capacity is up to 300lbs/136.4Kg.
- VESA mounting hole pattern compatible up to 860 x 480 mm (33.86" W x 18.89" H)
- 2.5 inches dept from the wall.
- Solid sturdy wall plate provides strength and durability.
- Rail design allows IFPD to shift left and right for IFPD placement.

EASY TO INSTALL.

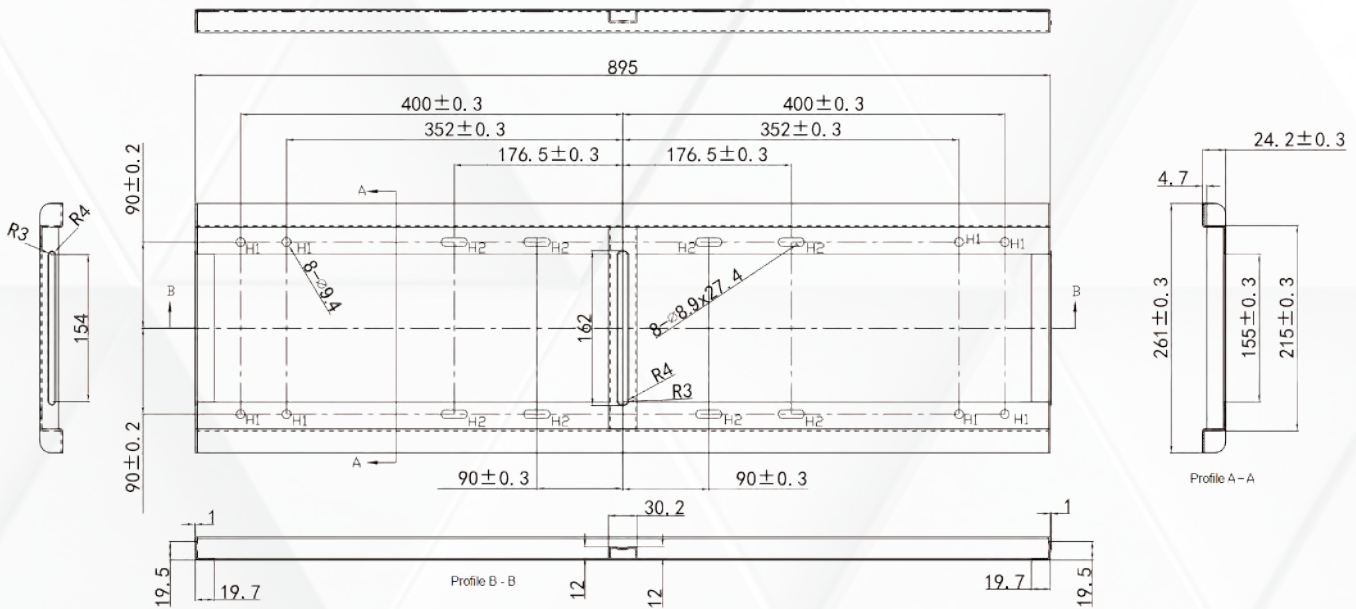
newline's wall mount solutions make installation a breeze. The compact designs make it easy to mount the panel as well as adjust the height or tilt of the display.

Product Weight and Dimensions	Bracket A: Length (mm)	Bracket A: Width (mm)	Bracket A: Height (mm)	Net Weight (Kg)	Gross Weight (Kg)	Capacity (Kg)
	500	36.5	32.6	3.75	4.25	136.4
	Bracket B: Length (inch)	Bracket B: Width (inch)	Bracket B: Height (inch)	Net Weight (lbs)	Gross Weight (lbs)	Capacity (lbs)
895	261	19.5	8.27	9.37	300	
Material / color	Cold rolled steel sheet SPCC / Black					

Bracket A (Wallboard, locked in machine)



Bracket B (Wall mount parts, locked to wall)



newline

HEADQUARTERS (TX, USA)
101 East Park Blvd.
Suite 807 Plano,
TX 75074, USA
TEL: +1 888 233 0868
info@newline-interactive.com

ASIA PACIFIC OFFICE (Taipei, Taiwan)
17F, No. 653, Bannan Rd,
Zhonghe Dist, New Taipei City
235, Taiwan
TEL: +886 2 8228 2089
info_ap@newline-interactive.com

EUROPE OFFICE (Madrid, Spain)
Ronda de Poniente, N°2, 1st floor,
Oficina 1B, 28760,
Tres Cantos, Madrid, Spain
TEL: +34 911169178
info_eu@newline-interactive.com

INDIA OFFICE (Chennai)
Room No. 203, No. 37, TTK Road,
Alwarpet, Chennai,
Tamil Nadu, India, 600018
TEL: 1 800 419 0309
info.in@newline-interactive.com

KOREA OFFICE (Seoul, South Korea)
A816, 8F, 401 Yangcheon-ro,
Gangseo-gu, Seoul,
07528 Korea
TEL: +82 2 2638 5140
koreainfo@newline-interactive.com

newline-interactive.com