

# newline **HW86**

## Mobile Cart for Interactive Display

The solution for all users who want their collaboration tools to be able to be moved from one place to another quickly and easily.



Model	HW86
For Screens	55" ~ 100"
Maximum capacity	136.4 kg
Av shelf max load	13.6 kg
Video tray max load	4.5 kg
VESA	200 x 200 ~ 1000 x 600 mm
Material / Color	Aluminum for Columns and Iron for others / Black



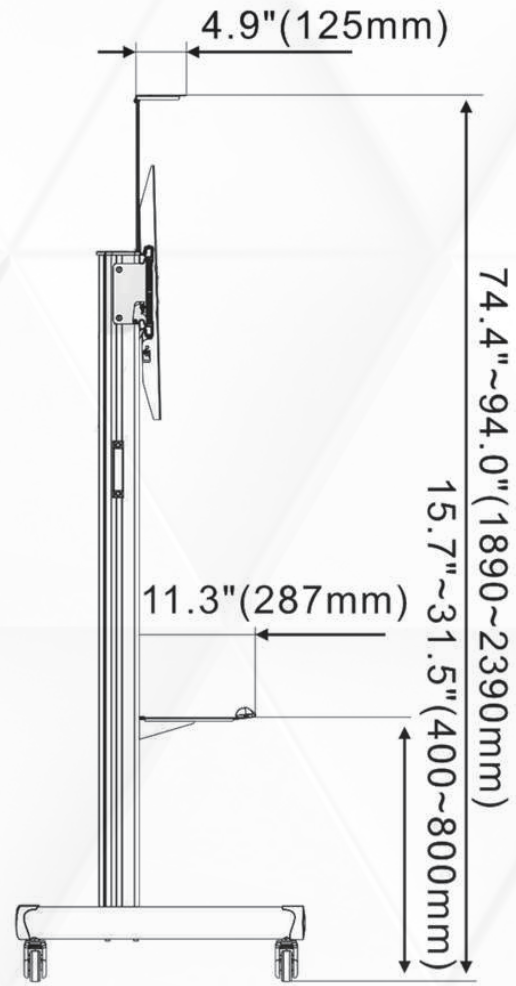
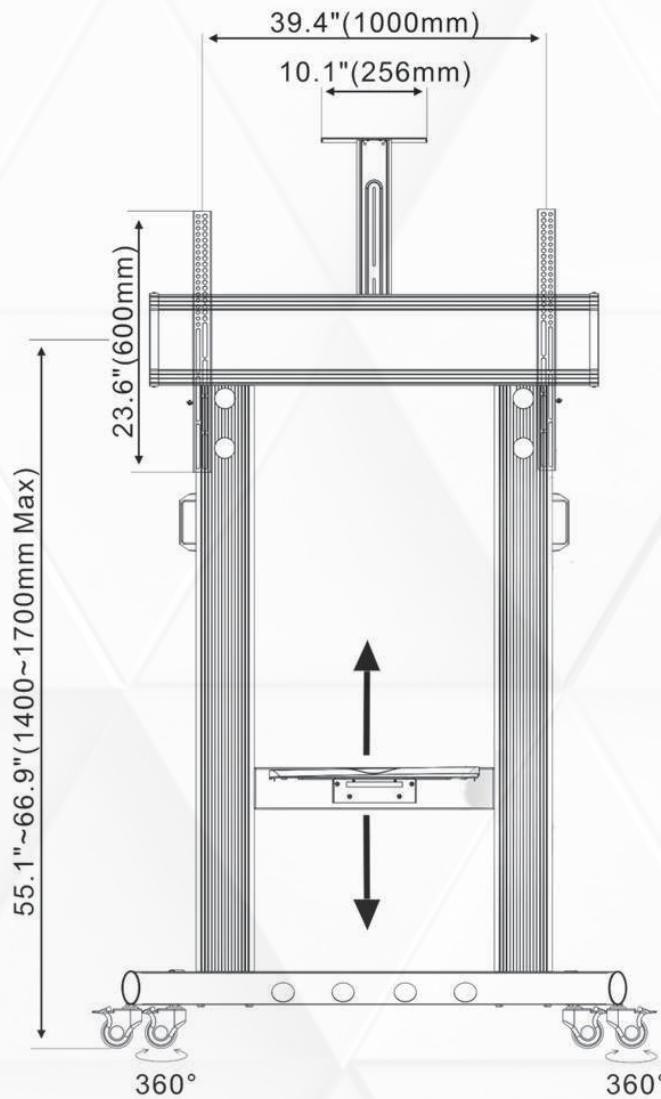
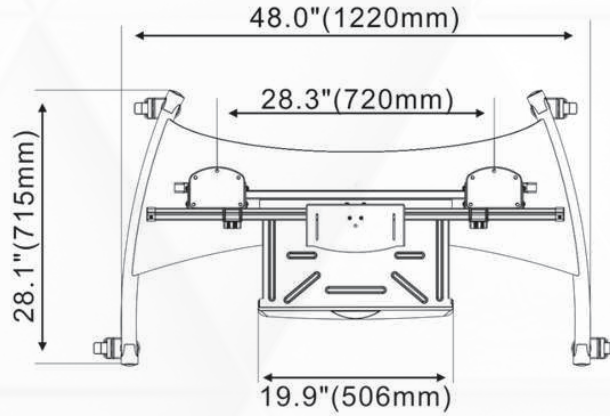
### **EASY TO ADJUST**

HW86 mobile stand is easy to adjusting height, allow to position interactive display from 29.5 inches up to 55 inches high off the ground. Quickly and easily adjust the display to a custom height that fits user needs.

### **EASY TO MOVE AROUND**

The lockable wheels provide easy movement for the display to travel. Simply wheel the mobile stand around the office and lock the wheels in place once you have reached the best spot for your presentation.

Transportation / Storage	Outline Dimension Length (mm)	Outline Dimension Width (mm)	Outline Dimension Height (mm)	Net Weight	Packing Weight
	715	1260	1400-1700		
	Packing Dimension Length (mm)	Packing Dimension Width (mm)	Packing Dimension Height (mm)		
	720	1300	2080	32 kg	40 kg



# newline

**HEADQUARTERS (TX, USA)**  
 101 East Park Blvd.  
 Suite 807 Plano,  
 TX 75074, USA  
 TEL: +1 888 233 0868  
 info@newline-interactive.com

**ASIA PACIFIC OFFICE (Taipei, Taiwan)**  
 17F, No. 653, Bannan Rd,  
 Zhonghe Dist, New Taipei City  
 235, Taiwan  
 TEL: +886 2 8228 2089  
 info\_ap@newline-interactive.com

**EUROPE OFFICE (Madrid, Spain)**  
 Ronda de Poniente, N°2, 1st floor,  
 Oficina 1B, 28760,  
 Tres Cantos, Madrid, Spain  
 TEL: +34 911 169178  
 info\_eu@newline-interactive.com

**INDIA OFFICE (Chennai)**  
 Room No. 203, No. 37, TTK Road,  
 Alwarpet, Chennai,  
 Tamil Nadu, India, 600018  
 TEL: 1 800 419 0309  
 info.in@newline-interactive.com

**KOREA OFFICE (Seoul, South Korea)**  
 A816, 8F, 401 Yangcheon-ro,  
 Gangseo-gu, Seoul,  
 07528 Korea  
 TEL: +82 2 2638 5140  
 koreainfo@newline-interactive.com

newline-interactive.com