

Newline HW86

Multi-functional and professional mobile cart

User Manual (Installation instructions)

Edit : APAC PM Vincent Huang

*Photos : APAC PM Vincent Huang and
APAC FAE Ethan Chen*

Date : 2020/12/09

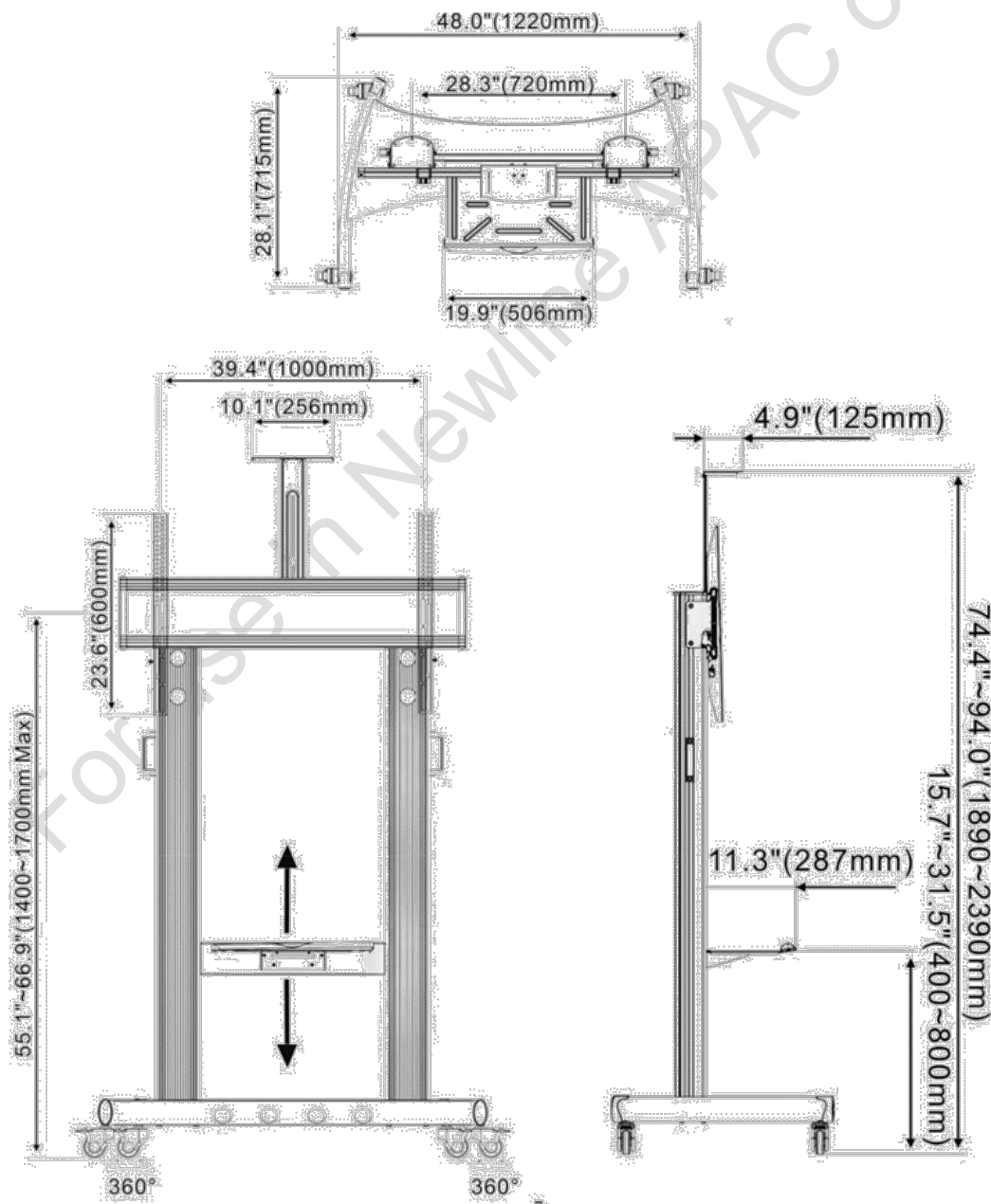
Contents

1. Features	2
2. Product specifications	2
3. WARNING!	3
4. Part List:	4
5. Explosive view.....	5
6. Assembly step	6
Step 1. Assemble base and wheels	6
Step 2. Start to assemble Columns	6
Step 3. Screen support fixture to columns installation.....	8
Step 4. Screen support bracket to fixture installation	11
Step 5. Rails to Display installation	12
Step 6. Accessories shelf assemble and installation.....	13
Step 7. Video support tray assemble.....	15
7. Installation completed views.....	17

1. Features

- For display panels: 55"-100"
- Maximum capacity: 300lbs/136.4kg
- Accessories shelf max load: 25lbs/13.6kg
- Video support tray max load: 10 lbs/4.5kg
- VESA:200*200-1000*600mm

2. Product specifications



Product Weight and Dimensions	Outline Dimension L x W x H (mm)	Packing Dimension L x W x H (mm)	Net Weight (Kg)	Packing Weight (Kg)	Capacity (Kg)
	1260 x 715 x 1400-1700	2080 x 720 x 130	32	40	136.4
	Outline Dimension L x W x H (inch)	Packing Dimension L x W x H (inch)	Net Weight (lbs)	Packing Weight (lbs)	Capacity (lbs)
	49.6 x 28.15 x 55.19-66.93	81.89 x 28.35 x 5.12	70.55	88.18	300
Material / color	Aluminum for Columns and Iron for others/ Black				

3. WARNING!

Severe personal injury and property damage can result from improper installation or assembly. Read the following warning carefully before beginning.

- If you do not understand the instructions or have any concerns or questions, please contact a qualified local installer.
- Do not install or assemble if the product or hardware is damaged or missing, if you require replacement arts, please contact your local distributor for assistance.

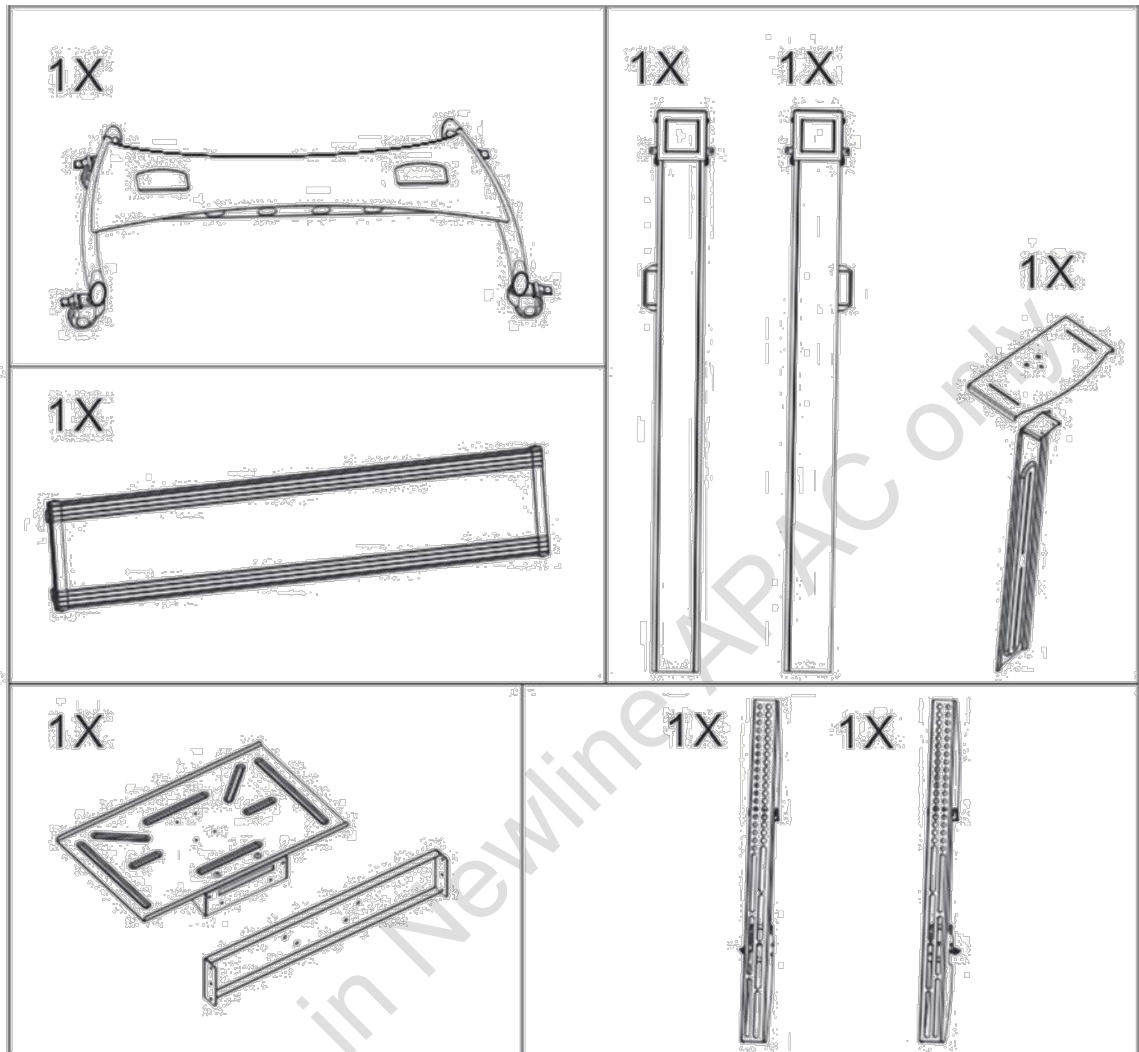
No exist of stated specifications.

- Do not use this product for other than the original designed.
- This product contains moving parts, please use with caution
- The manufacturer disclaims any liability for the modifications, improper installation, or installation over the specified weight range. The manufacturer will not be liable for any damages arising out of the use of, or inability to use, the product.
- All images are for reference, to prevail in product

LEGEND

Tightening Direction	Loosening Direction	Phillips Screwdriver	Measuring Tape	Adjustment	BY Hand	Hex Wrench	+Tightening -Loosening

4. Part List:



M8x25mm	M6x14mm	Ø8 washer	Ø6 washer	φ8x10 mm	M5x10 mm	M5x8 mm	M8 Hex Wrench	M6 Hex Wrench	Buckle	3-hole iron piece	2-hole iron piece
x16	x24	x16	x24	x4	x4	x8	x2	x2	x2	x4	x4

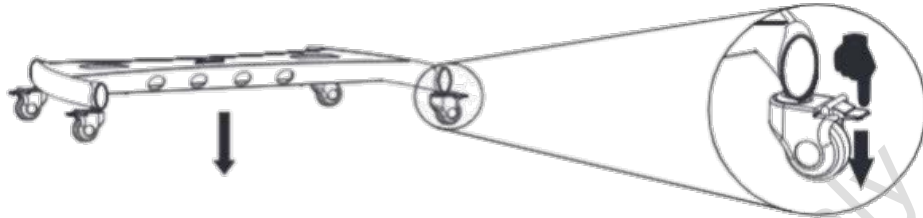
5. Explosive view



6. Assembly step

Step 1. Assemble base and wheels

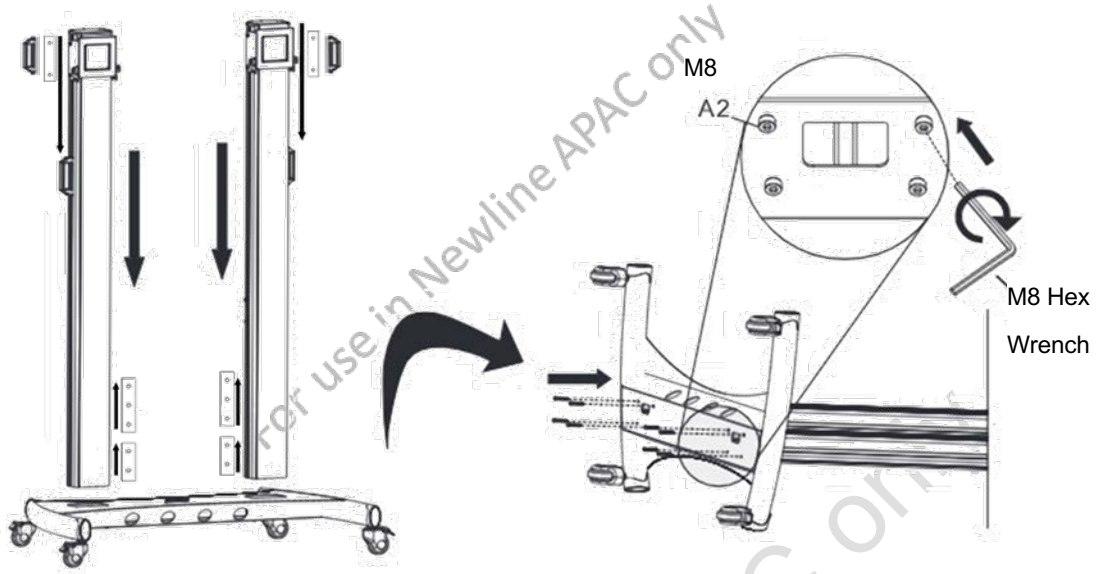
Use nuts to fix the four wheels to the base



Please attach the four wheels with nut lock and cover with dust cover.



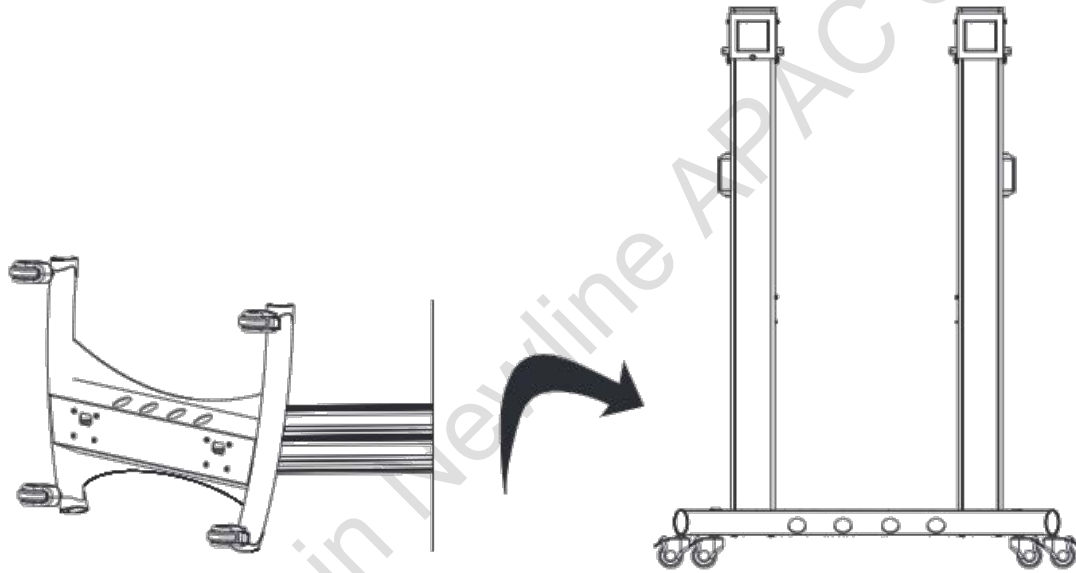
Step 2. Start to assemble Columns



Before the column is installed into the base, put the 3-hole and the 2-hole fixed iron pieces into the side groove of the column respectively. Stand the base sideways and aim the column at the base hole. Then tighten the screws to fix the column.

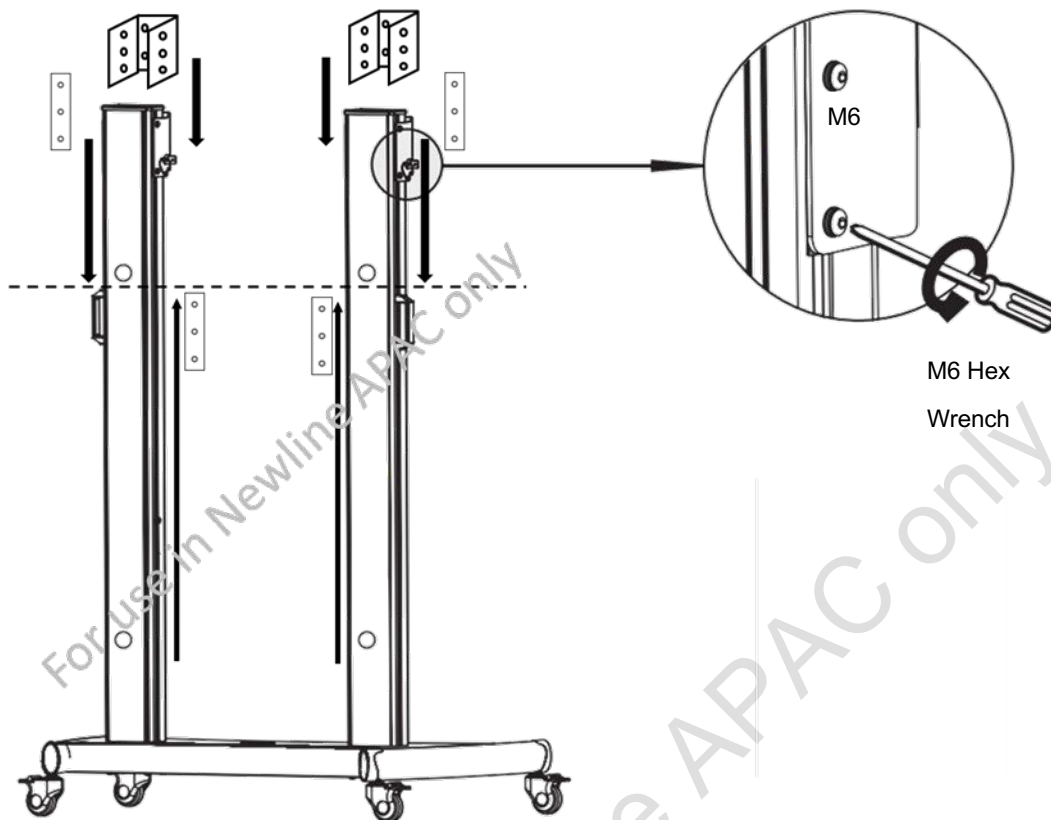


Please note that the 3-hole and 2-hole fixing iron pieces have been placed in the grooves.



Step 3. Screen support fixture to columns installation

Usually the handle is already attached to it. If not, please lock it yourself.
Handle locking method: Please put the 2-hole fixed iron piece into the side groove of the column and lock the fixed handle at the appropriate position.



Please note: In any case, please make sure that the lock positions on both sides are on the same horizontal line, that is, the same height first.



After fixing the handle, put the 3-hole fixing iron sheet into the groove.



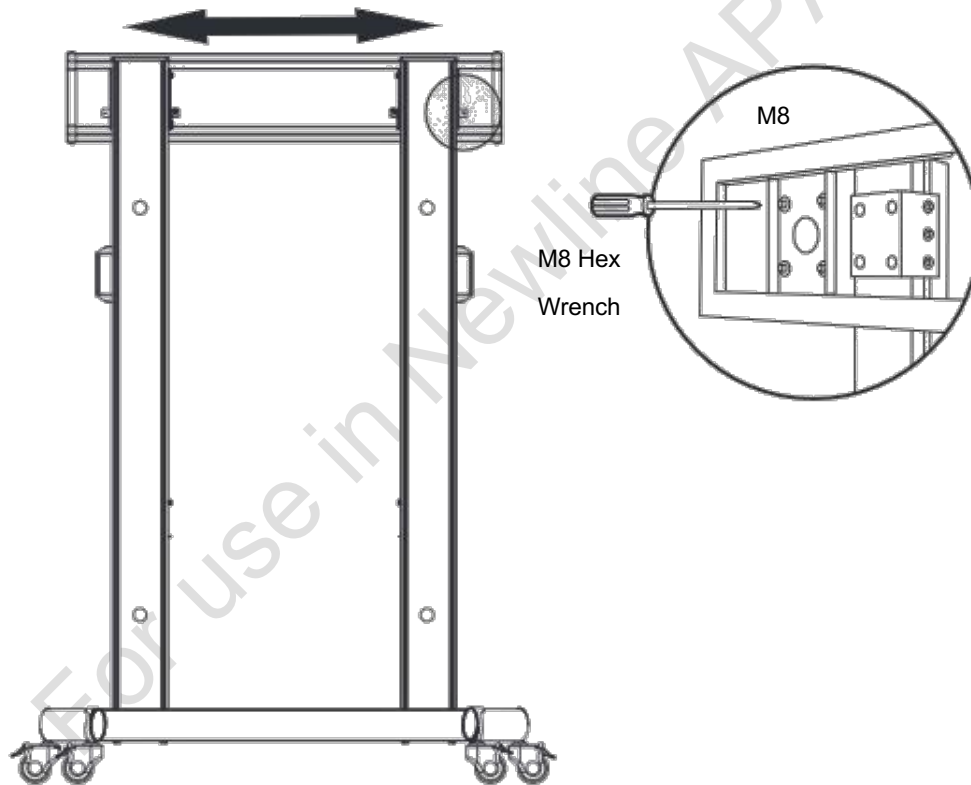
Put on the cover and lock the screws then.



Push up the 3-hole fixing iron piece on the other side, and then lock the support fixtures. Support fixture



Step 4. Screen support bracket to fixture installation



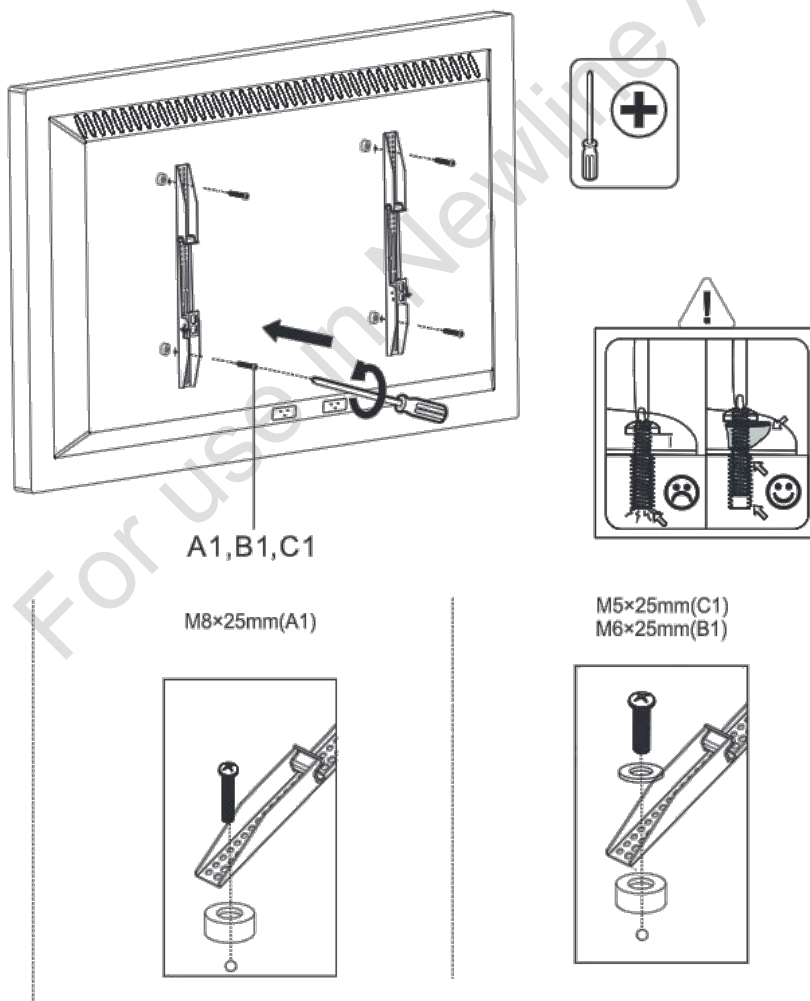
Lock the screen support bracket.



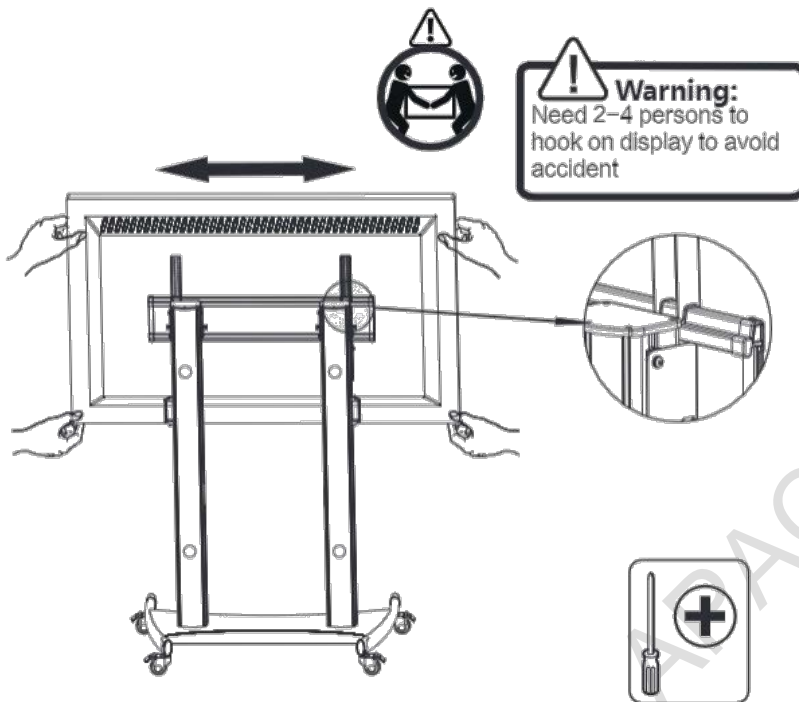
Step 5. Rails to Display installation

Lock the screen support rails at the appropriate height holes.

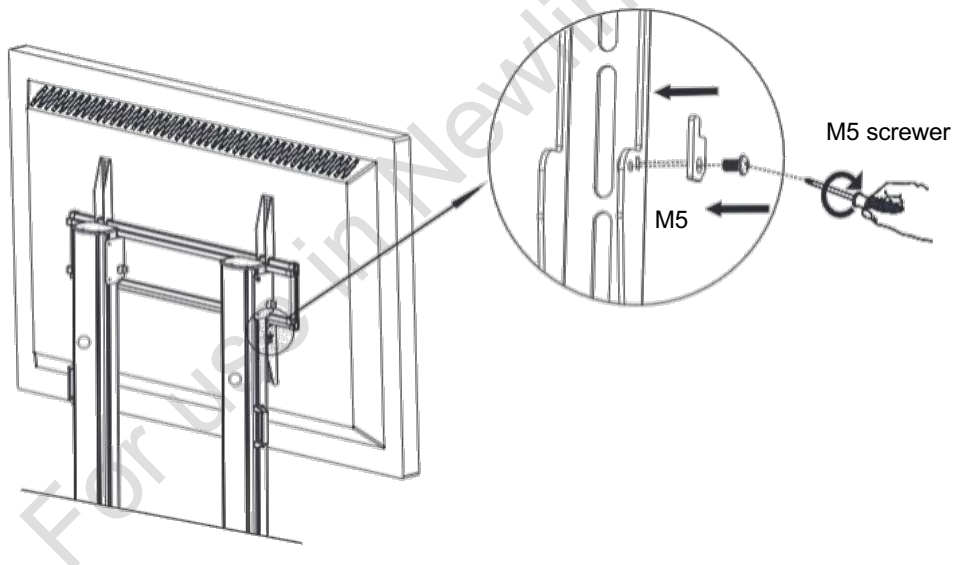
Notes: Plastic spacers must be used when assemble adaptor onto your display to avoid display threaded holes damaged when thread holes are shallow.



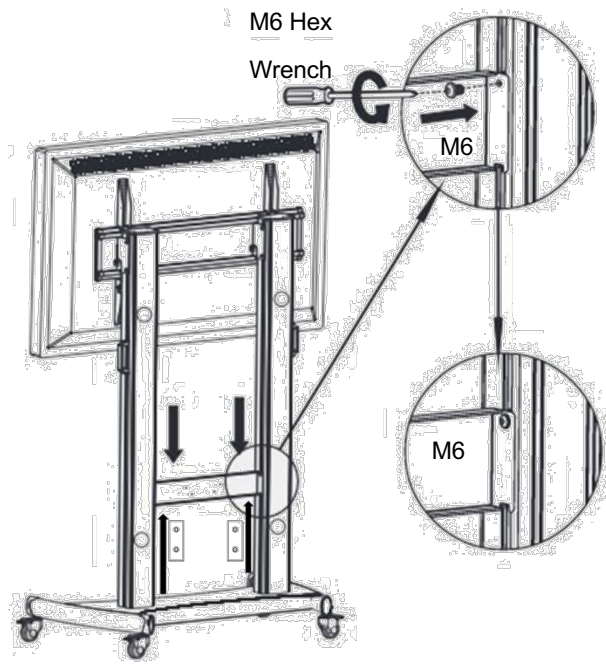
Ask 2-4 people to lift the IFPD and place it on the screen bracket, and move it left and right to adjust to a proper position.



Lock the buckle to fix the IFPD.

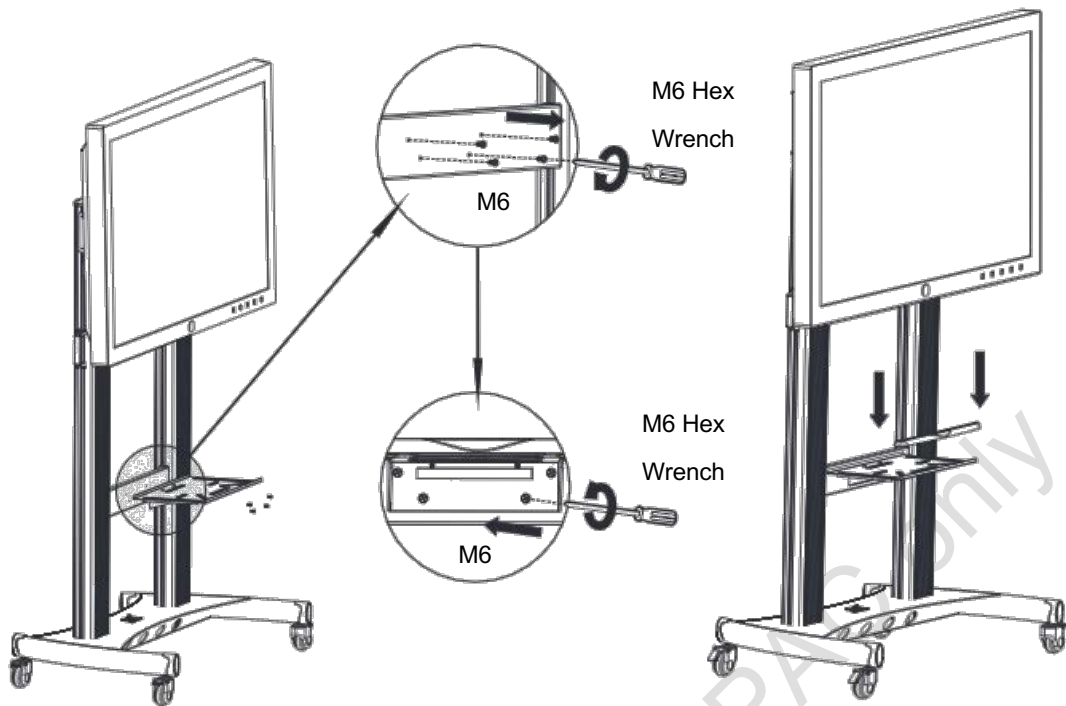


Step 6. Accessories shelf assemble and installation



After sliding the 2-hole fixed iron piece to a proper height, lock the horizontal pillar. At the same time make sure the horizontal pillar is horizontal.

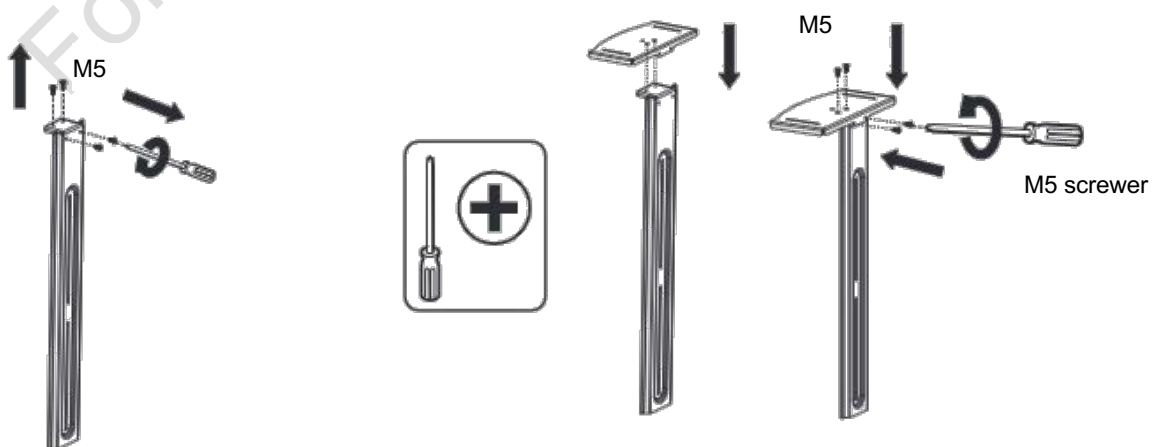




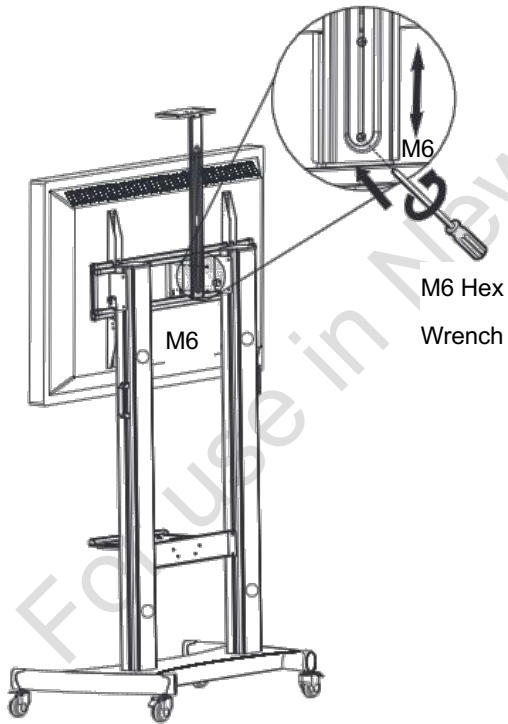
Lock the storage tray then.



Step 7. Video support tray assemble



Assemble the video support tray first.





7. Installation completed views

