

newline **IFPI-19X**

Wall Mounts for Interactive Display

newline's wall mount solutions make installation a breeze. The compact designs make it easy to mount the panel as well as adjust the height of the display.

This lower profile wall mount gives the IFPI-19X unit a stylish appearance, while maintaining the strength of its durable dual steel frames. The open wall plate provides space to pass cables. And the easy can be moved by hand, no need to use tools.



FEATURES:

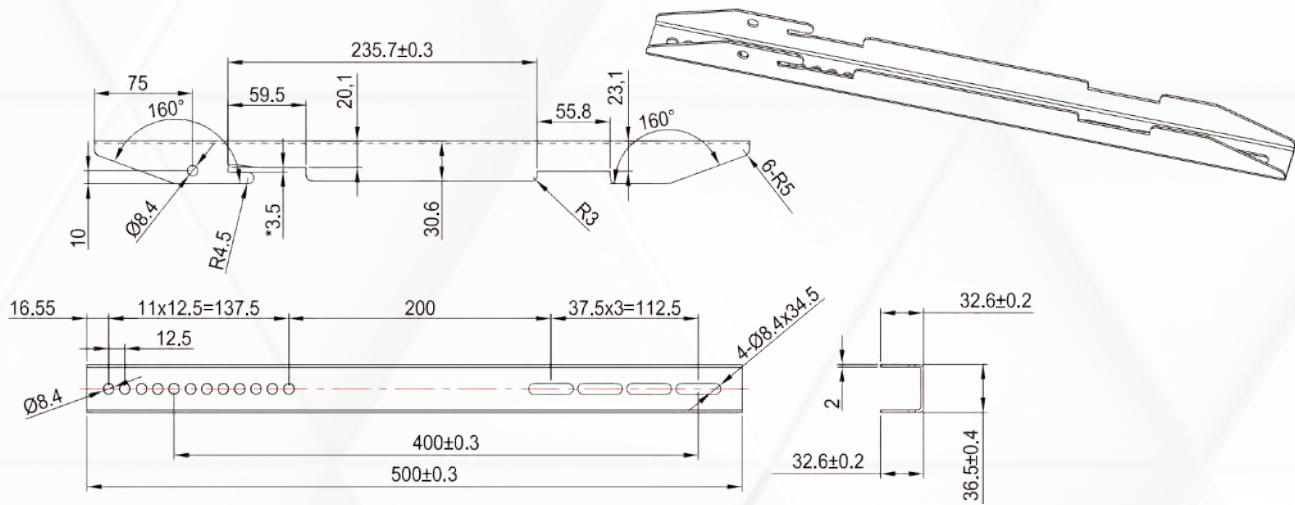
- Supports sizes are 55", 65", 70", 75", 80", 86".
- Weight capacity is up to 300lbs/136.4Kg.
- VESA mounting hole pattern compatible up to 860 x 480 mm (33.86" W x 18.89" H)
- 2.5 inches dept from the wall.
- Solid sturdy wall plate provides strength and durability.
- Rail design allows IFPD to shift left and right for IFPD placement.

EASY TO INSTALL.

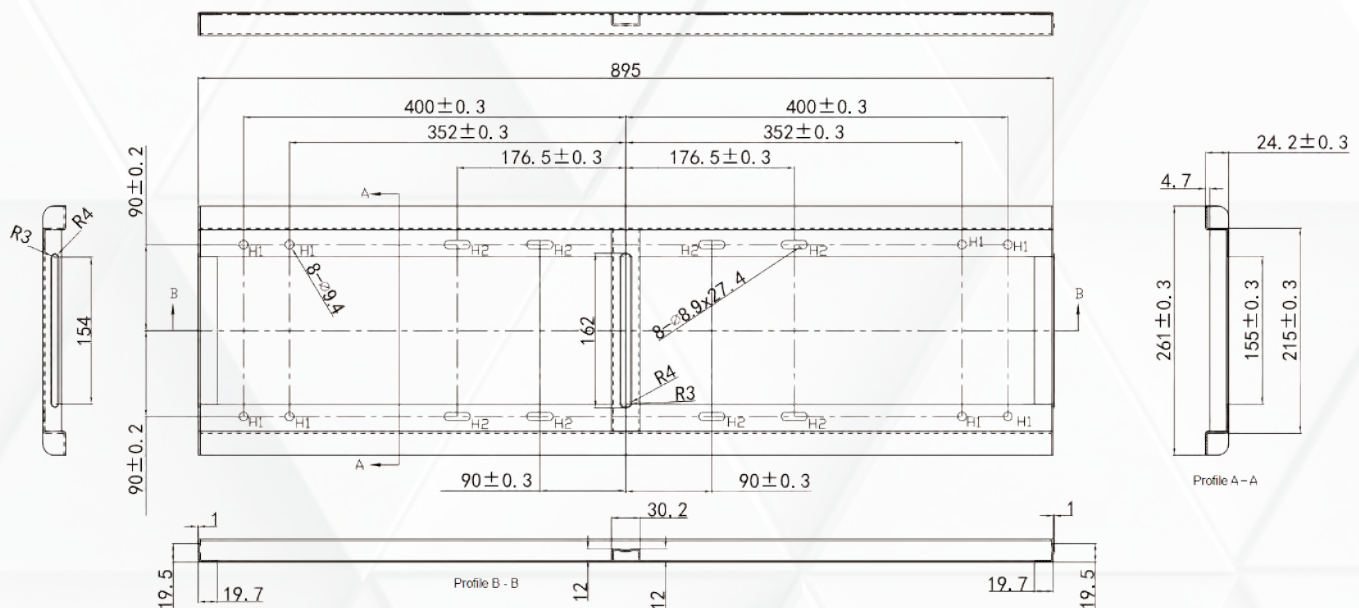
newline's wall mount solutions make installation a breeze. The compact designs make it easy to mount the panel as well as adjust the height or tilt of the display.

Product Weight and Dimensions	Bracket A: Length (mm)	Bracket A: Width (mm)	Bracket A: Height (mm)	Net Weight (Single)	VESA (mm)	Maximum Capacity
	500	36.5	32.6	3.75 kg	860 x 480	136.4 kg
	Bracket B: Length (mm)	Bracket B: Width (mm)	Bracket B: Height (mm)	Material / Color		
895	261	19.5	Cold rolled steel sheet SPCC / Black			
Transportation / Storage	Outline Dimension Length (mm)	Outline Dimension Width (mm)	Outline Dimension Height (mm)	Packing Weight (Single)	Packing Weight (4 pcs per catrons)	
	895	280	38	4.25 kg	19.3 kg	
	Packing Dimension Length (mm)	Packing Dimension Width (mm)	Packing Dimension Height (mm)			
	1016	231	332			

Bracket A (Wallboard, locked in machine)



Bracket B (Wall mount parts, locked to wall)



newline

HEADQUARTERS (TX, USA)
101 East Park Blvd.
Suite 807 Plano,
TX 75074, USA
TEL: +1 888 233 0868
info@newline-interactive.com

APAC OFFICE (Hsinchu, Taiwan)
4F-3, No. 76, Sec. 2, Jiafeng S. Rd.,
Zhubei City, Hsinchu County,
302, Taiwan
TEL: +886 3 550 4768
info_ap@newline-interactive.com

EUROPE OFFICE (Madrid, Spain)
Ronda de Poniente, N°2, 1st floor,
Oficina 1B, 28760,
Tres Cantos, Madrid, Spain
TEL: +34 911169178
info_eu@newline-interactive.com

INDIA OFFICE (Chennai)
Room No. 203, No. 37, TTK Road,
Alwarpet, Chennai,
Tamil Nadu, India, 600018
TEL: 1 800 419 0309
info.in@newline-interactive.com

KOREA OFFICE (Seoul, South Korea)
A816, 8F, 401 Yangcheon-ro,
Gangseo-gu, Seoul,
07528 Korea
TEL: +82 2 2638 5140
koreainfo@newline-interactive.com

newline-interactive.com