

Newline WH3310

Professional mobile cart

User Manual
(Installation instructions)

For use in Newline APAC only

Edit : APAC PM Vincent Huang

Date : 2021/09/09

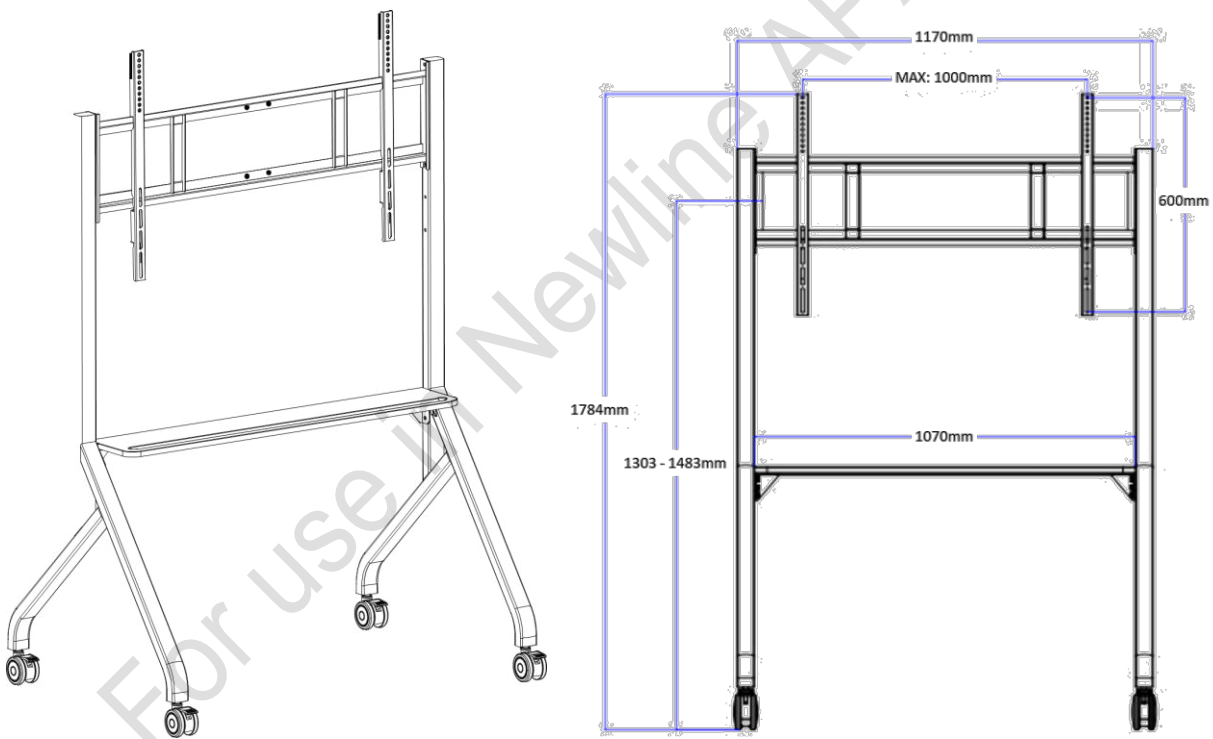
Contents

1. Features	2
2. Product specifications.....	2
3. WARNING!	3
4. Part List:.....	4
5. Assembly step.....	5
Step 1. Assemble wheels to columns.....	5
Step 2. Assemble screen support bracket to Columns.....	5
Step 3. Assemble Tray to Columns	6
Step 4. Rails to Display installation.....	7
Step 5. Hang IFPD on the screen bracket.....	7
Step 6. Schematic diagram of assembly completion	8
6. Installation completed views.....	9

1. Features

- Newline WH3310 can fit most of 55"-86" Interactive Flat-Panel Display (IFPD) and hold the weight up to 176lbs with VESA range from 200x200mm to 1000x600mm.
- This rolling IFPD cart has 360°movable wheels with brakes, allowing you to move or fix at any time when needed. It also can meet your different needs, easily rolling the screens from your office to meeting room.
- Height adjustable IFPD cart can meet the needs of different heights from 62.05"to 69.13". So you can adjust the height according to your viewing distance for a better viewing experience.
- Good-look design.

2. Product specifications



Basic parameters:

Item	WH3310
Applicable screen size	Fits for 55"-86" display screen
VESA pattern range	200*200mm-1000*600mm
Lifting height	1456/1366/1276mm

Load capacity	100KG (220LBS)
Display height adjustment	62.05"-69.13" 1576-1759MM from the floor.
Moving mechanism	Manual Lift
Material	High quality cold rolled steel
Packing carton size (mm)	1620*870*155

3. WARNING!

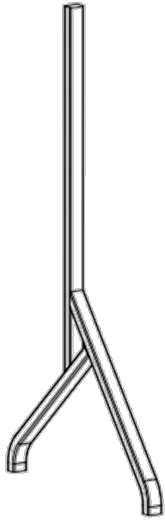
Severe personal injury and property damage can result from improper installation or assembly. Read the following warning carefully before beginning.

- If you do not understand the instructions or have any concerns or questions, please contact a qualified local installer.
- Do not install or assemble if the product or hardware is damaged or missing, if you require replacement parts, please contact your local distributor for assistance.

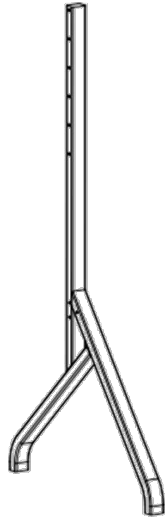
No exist of stated specifications.

- Do not use this product for other than the original designed.
- This product contains moving parts, please use with caution
- The manufacturer disclaims any liability for the modifications, improper installation, or installation over the specified weight range. The manufacturer will not be liable for any damages arising out of the use of, or inability to use, the product.
- All images are for reference, to prevail in product

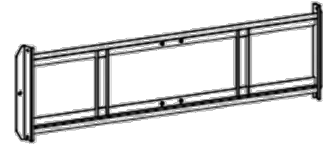
4. Part List:



Unit A:
Left column 1pcs



Unit B:
Right column 1pcs



Unit D:
Screen support bracket 1pcs











Unit E:
Screen support rails 2pcs



Unit C:
Tray 1pcs



Unit F:
3 inch wheels 1pcs

			
<p>Part a: M8*20 12pcs Cross external hexagon screws</p>	<p>Part b: M6*16 4pcs Cross round head screw</p>	<p>Part c: M8*25 4pcs Cross round head screw</p>	<p>Part d: Φ16*8.5*1.0 4pcs Washer</p>
			
<p>Part e: Φ24*12.5*1.5 4pcs Washer</p>	<p>Part f: Φ20*12.5*3.5 4pcs Spring washer</p>	<p>Phillips screwdriver (self-provided)</p>	<p>Adjustable wrench (self-provided)</p>

5. Assembly step

Step 1. Assemble wheels to columns

Adjust the wheels to the braking state, and then screw the 4pcs wheels onto the left and right columns (as shown in figure 1)

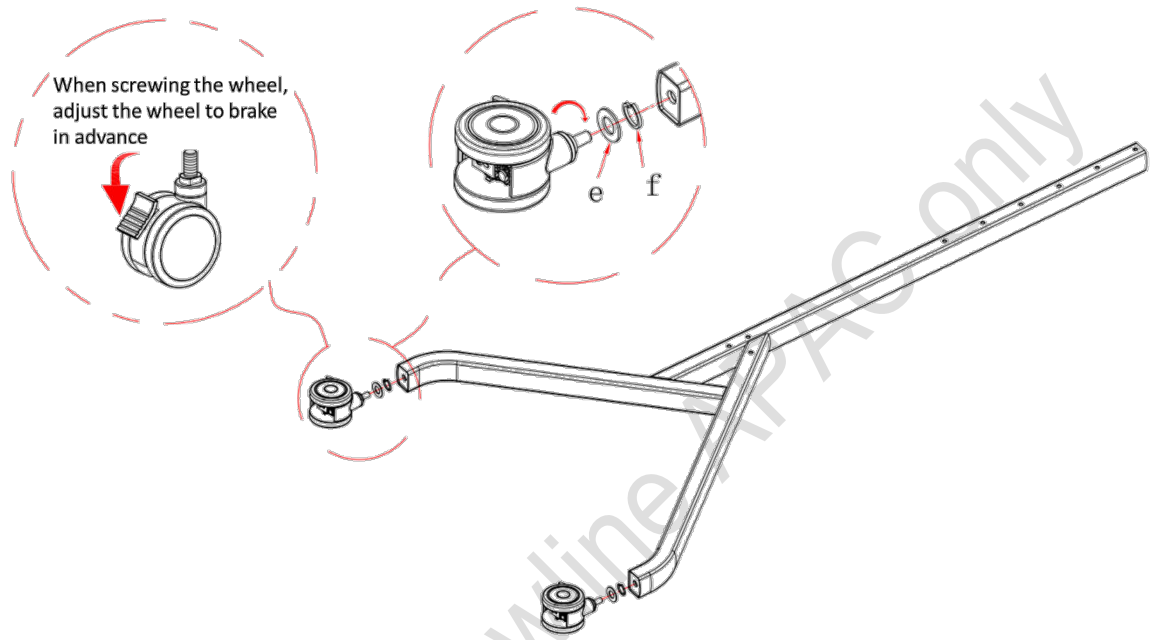


Figure 1.

Step 2. Assemble screen support bracket to Columns

There are three kinds of mounting hole position combinations on the upper side of the column. Select the required combination and pre-lock 1 screw (a) at the bottom hole position of this combination. Do not lock it tightly, reserve 8mm, then hang the screen support bracket and tighten the 6 screws (a). (as shown in figure 2)

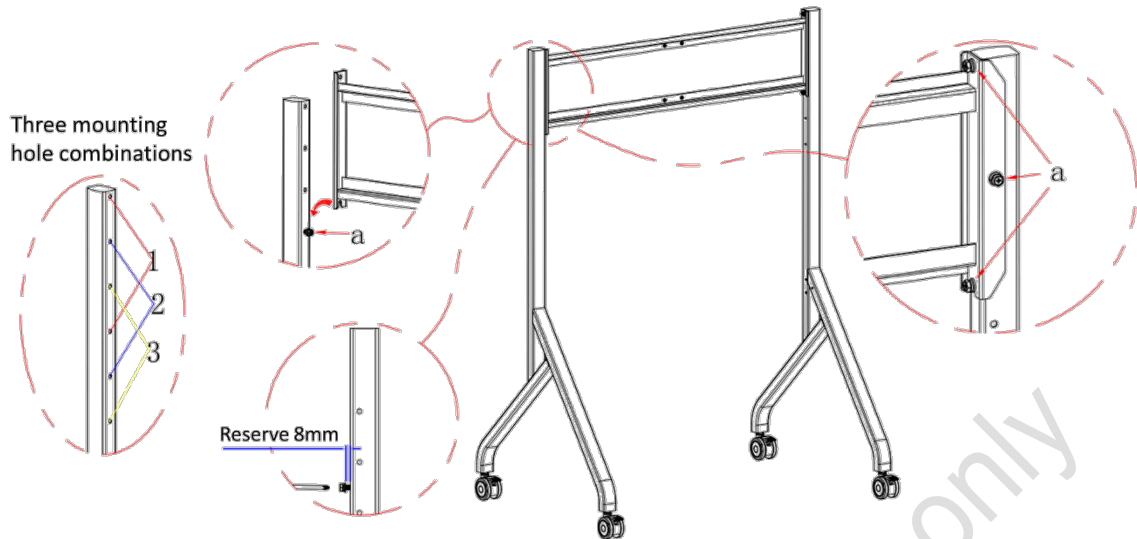


Figure 2.

Step 3. Assemble Tray to Columns

First pre-lock 1 screw (a) in the hole shown in the picture, do not lock it tightly, reserve 8mm, then hang the tray, and then lock 6 screws (a). (as shown in figure 3)

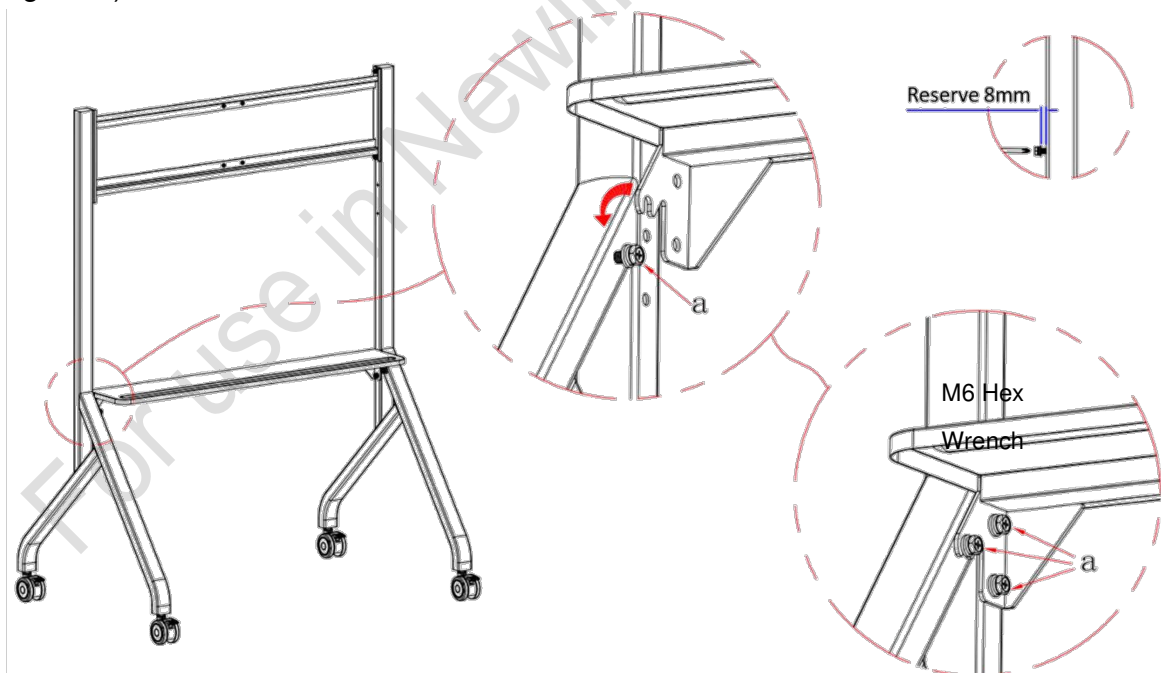


Figure 3.

Step 4. Rails to Display installation

Choose the screw that fits to the VESA hole on the back of the IFPD, and lock the screen support rail to the IFPD. (as shown in figure 4)

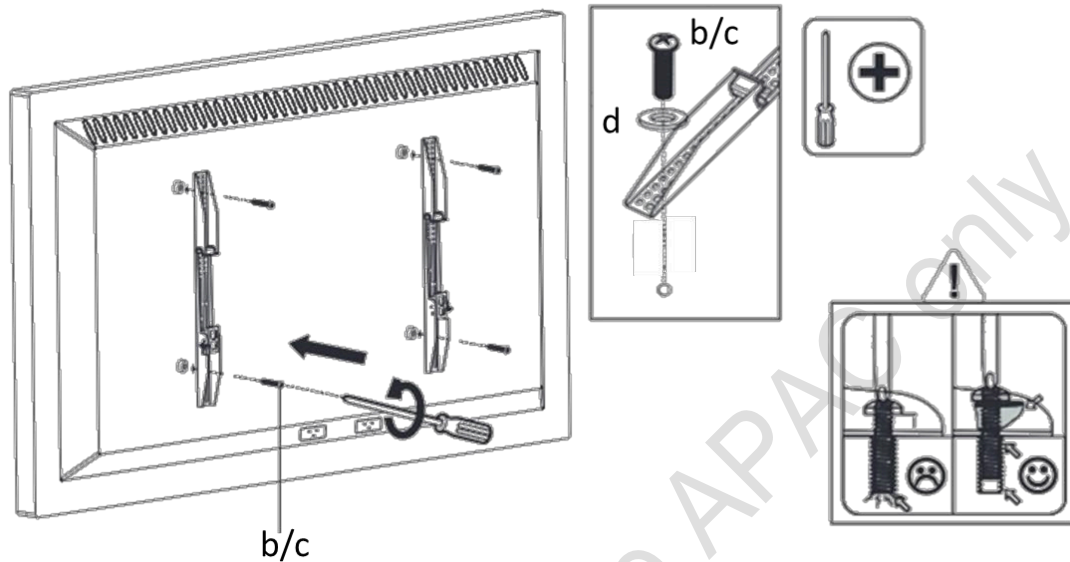


Figure 4.

Step 5. Hang IFPD on the screen bracket

Hang the IFPD equipped with screen support track on the screen bracket, make sure the hook is completely hung on the screen bracket, and then lock the safety screws on the screen support track. (as shown in figure 5).

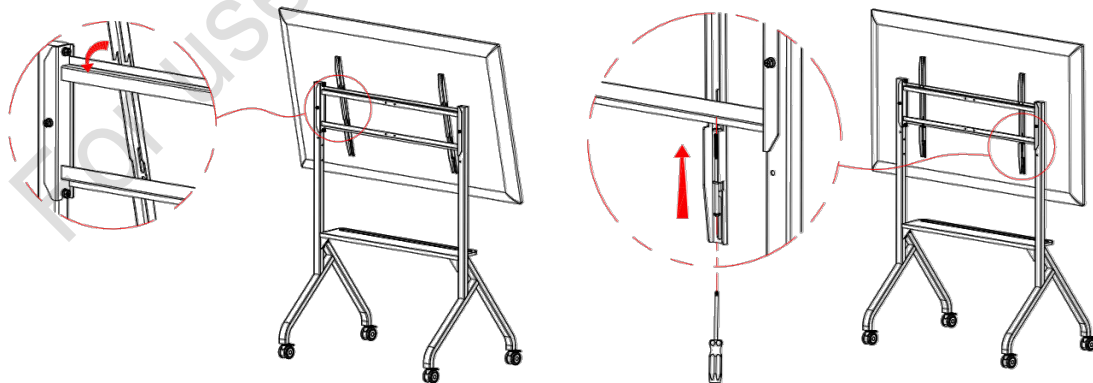
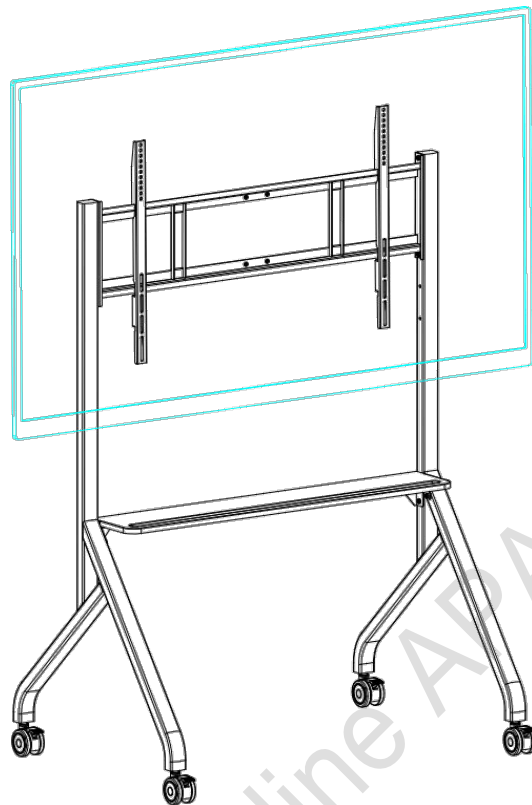
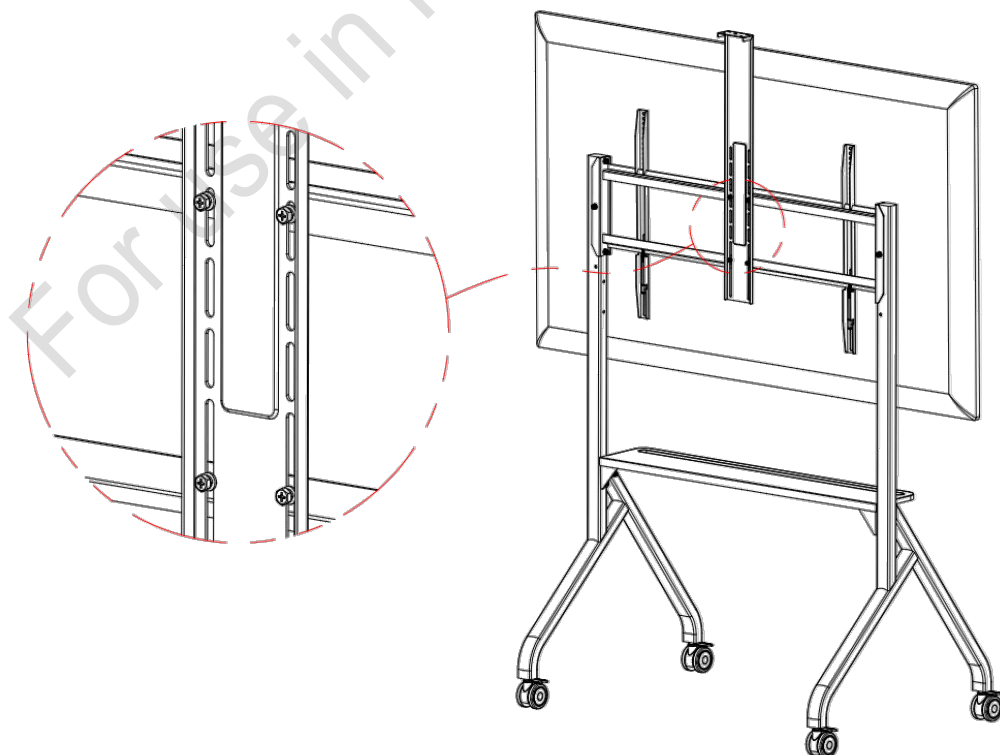


Figure 5.

Step 6. Schematic diagram of assembly completion



Note: This product has the function of installing a camera bracket. Adjust the camera bracket to a suitable position and lock 4 screws, as shown in the following figure:



6. Installation completed views



For use in Newline APAC only