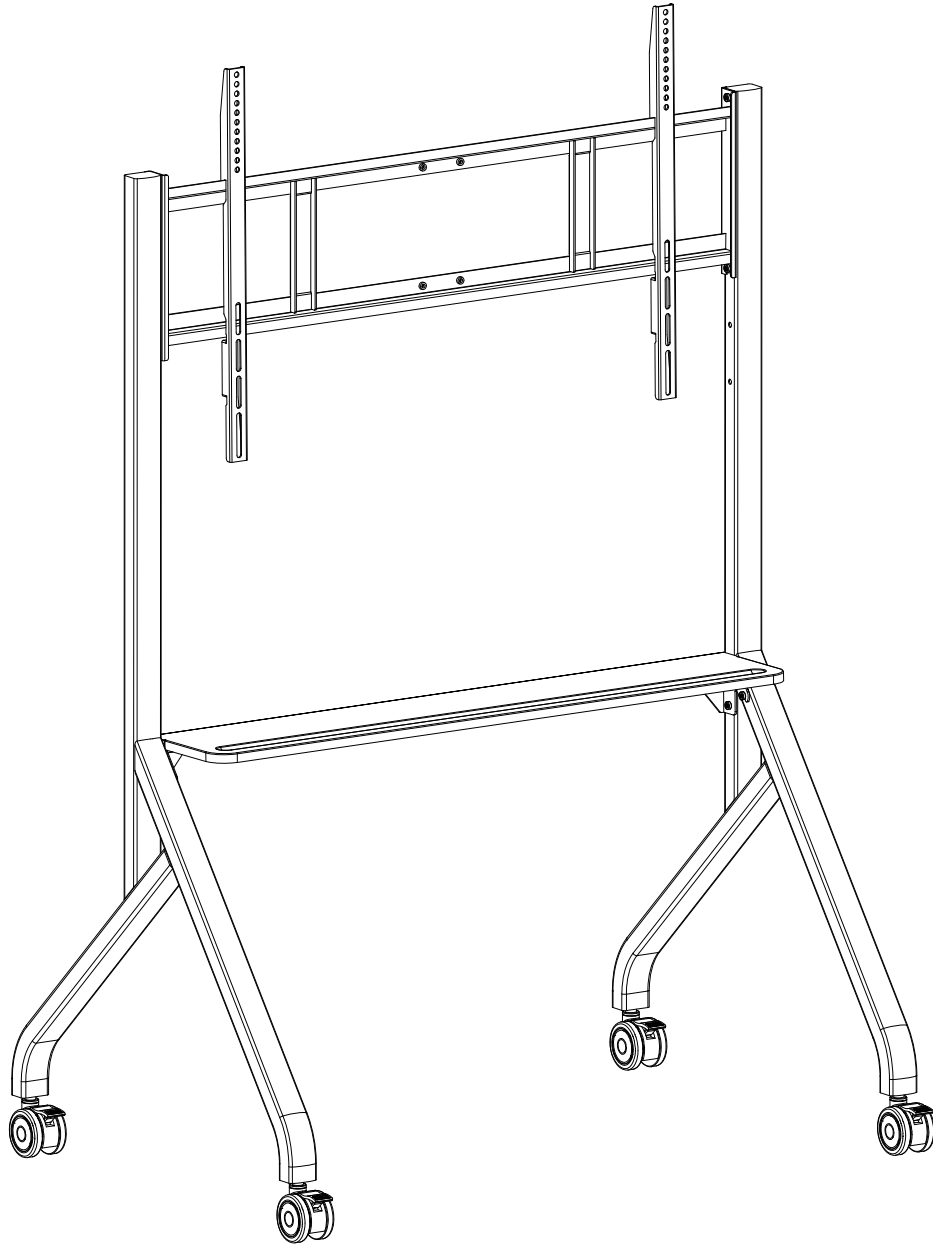


# WH3310 Installation Manual

---

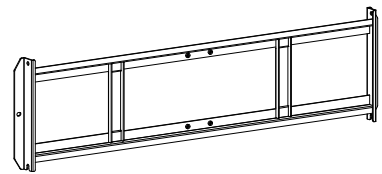


Model: WH3310

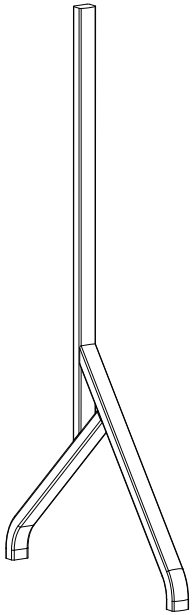
---

- To use the product safely and correctly, please read this manual carefully before installation.
- This product is suitable for 55-86 inch interactive display.
- The maximum capacity of this cart is 100 Kg.

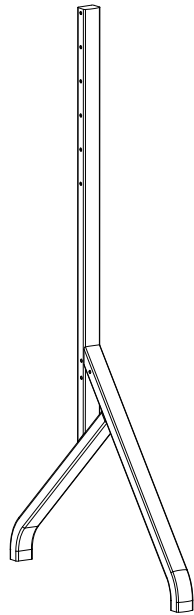
● Main Parts:



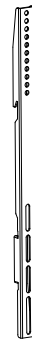
D-wall plate 1pc



A-left column 1pc



B-right column 1pc



E-bracket 2pcs

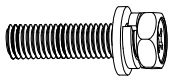


C-tray 1pc



F-4 inch wheels 4pcs

● Spare parts



a-M8\*20 Screw  
12pcs



b-M6\*16 Screw  
4pcs



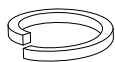
c-M8\*25 Screw  
4pcs



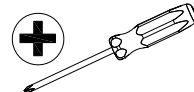
d-φ16\*8.5\*1.0 Washer  
4pcs



e-φ24\*12.5\*1.5 Washer  
4pcs



f-φ 20\*12.5\*3.5 Spring washer  
4pcs



Cross screwdriver  
1pc



Spanner  
1pc

**Step 1:**

Adjust the wheels to the braking state, and then screw the four wheels onto the left and right columns. (Figure 1)

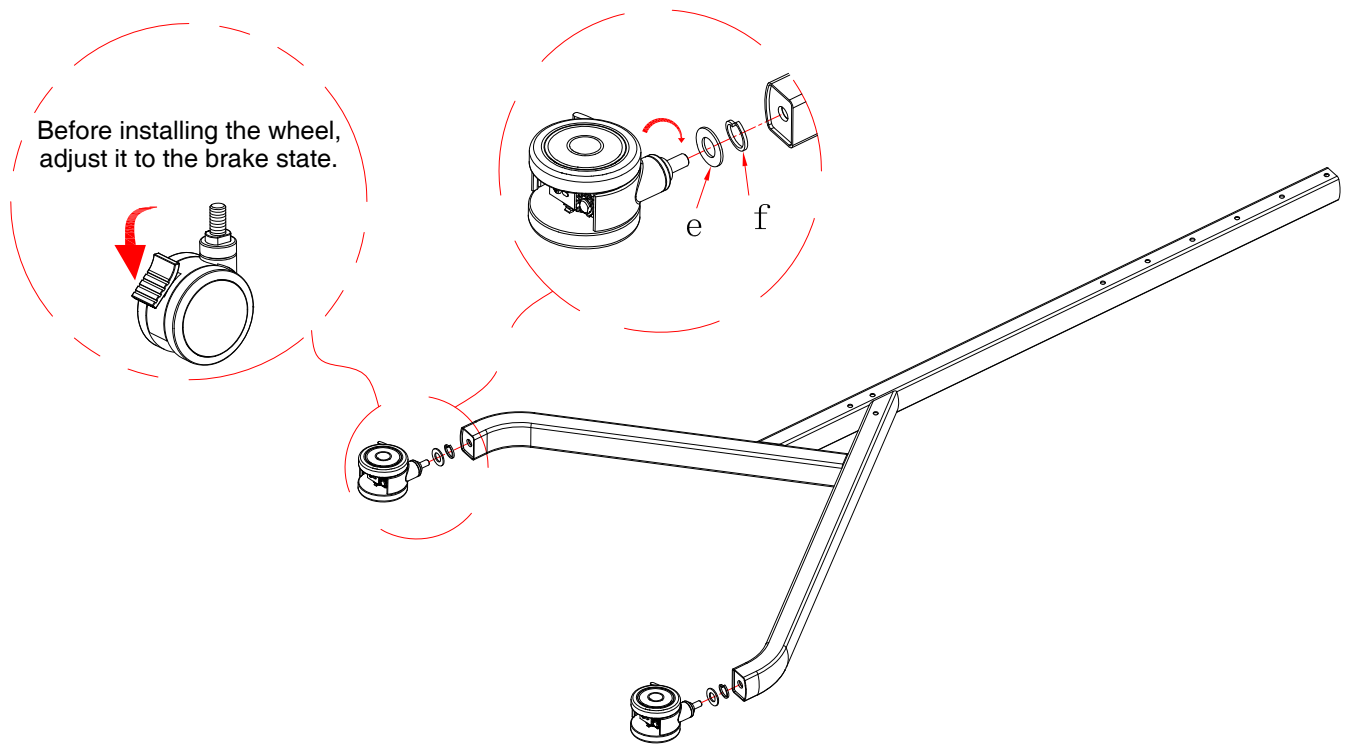


Figure 1

**Step 2:**

There are 3 combinations of installation holes in the wall plate. Choose the combination you need. Turn a screw (a) into the lower hole of the combination in advance. Do not lock it and reserve a distance of 8mm. Then hang up the wall plate and lock all six screws (a).

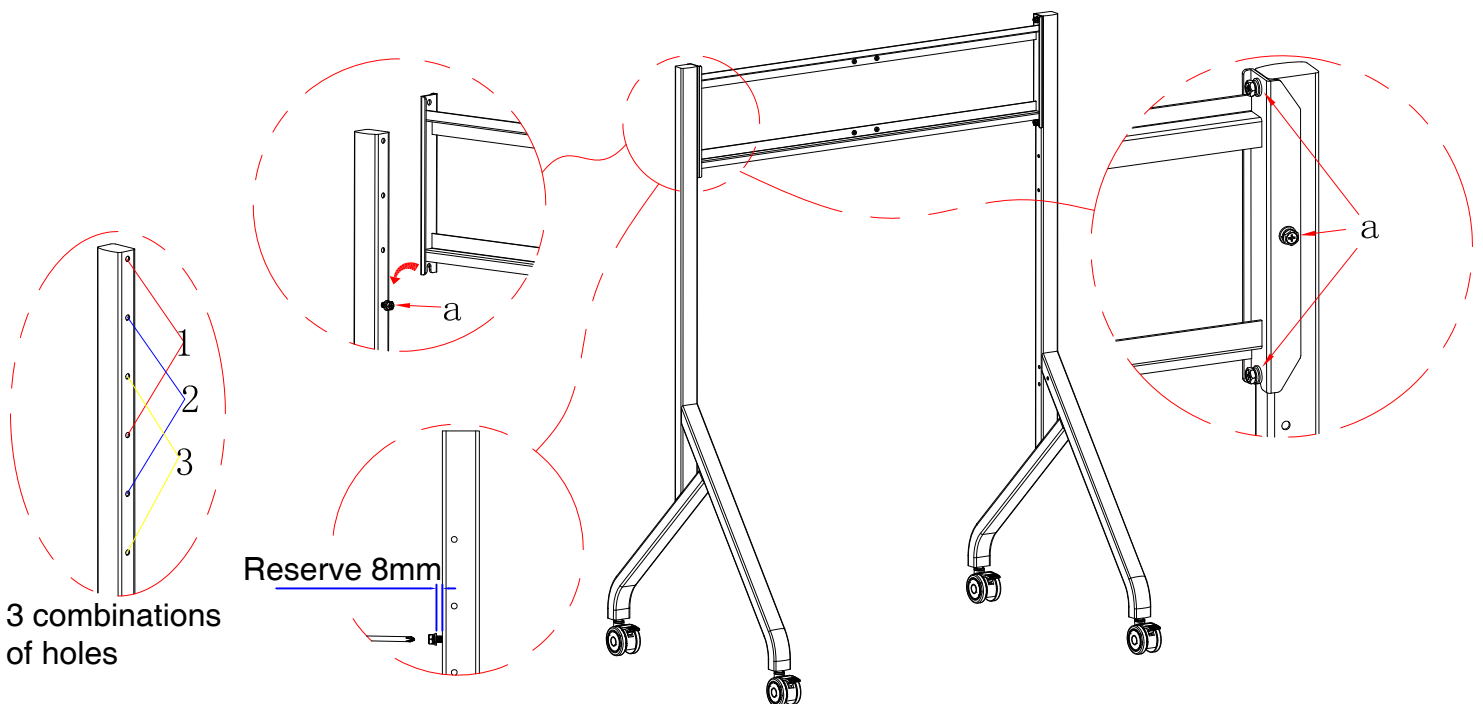


Figure 2

### Step 3:

Turn a screw (a) into the hole as shown in Figure 3 in advance, do not lock and reserve a distance of 8mm. Then hang up the tray and lock all six screws (a).

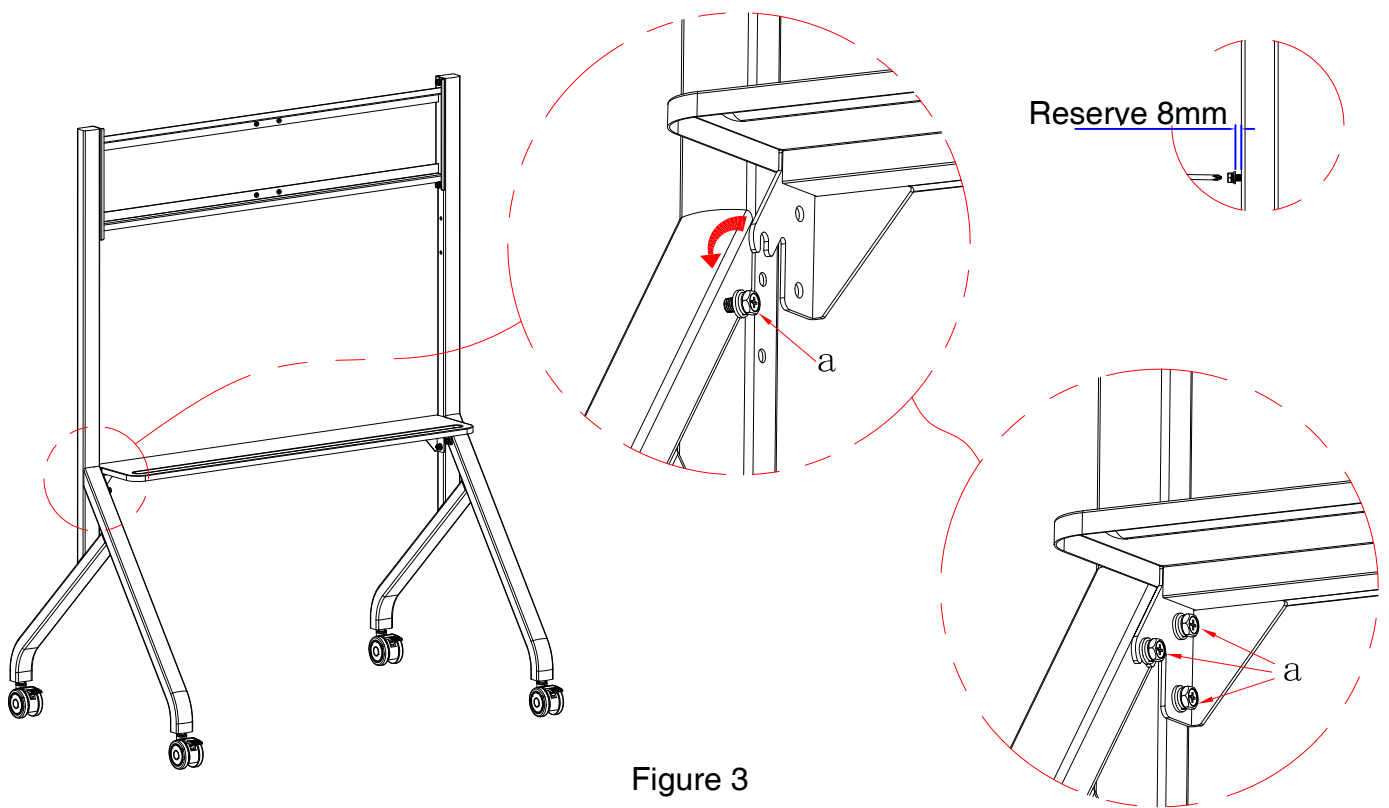


Figure 3

### Step 4:

As shown in Figure 4, lay the conference screen flat, and select the appropriate screw to connect the bracket with the screen.

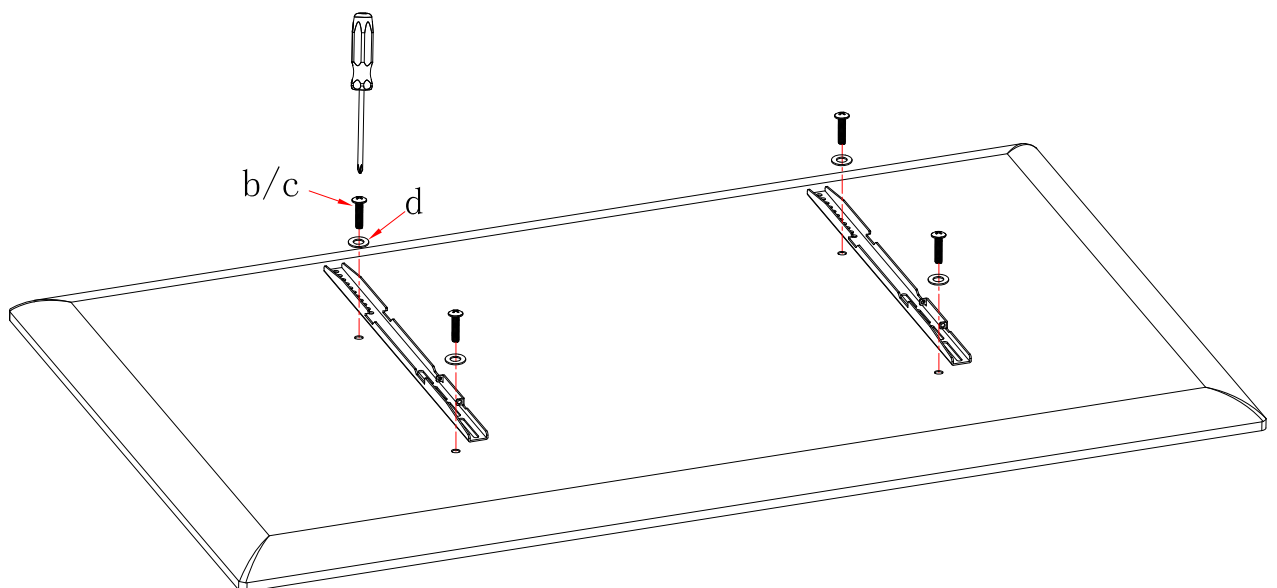
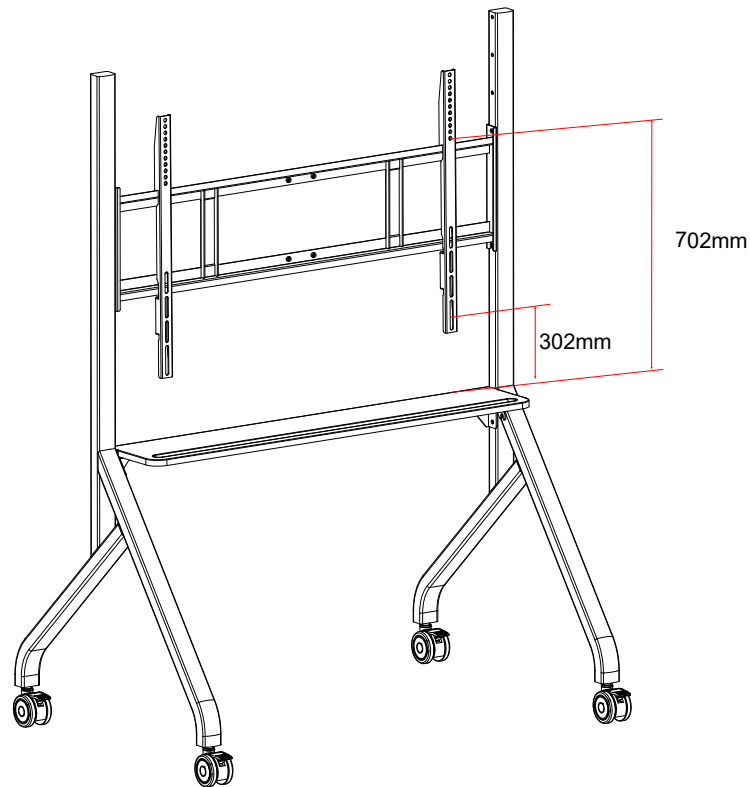


Figure 4

## Warm Tips:

When selecting the bottom group of holes on the column, the distance from the bottom group of holes on the bracket to the tray is shown as the figure below. Please pay attention to the size of your screen and ensure that the lower end of the screen does not interfere with the tray.



### Step 5:

Install the interactive display with the bracket on the wall plate, ensure that the hook is hung on the border of the wall plate, and then lock the safety screw on the bracket.

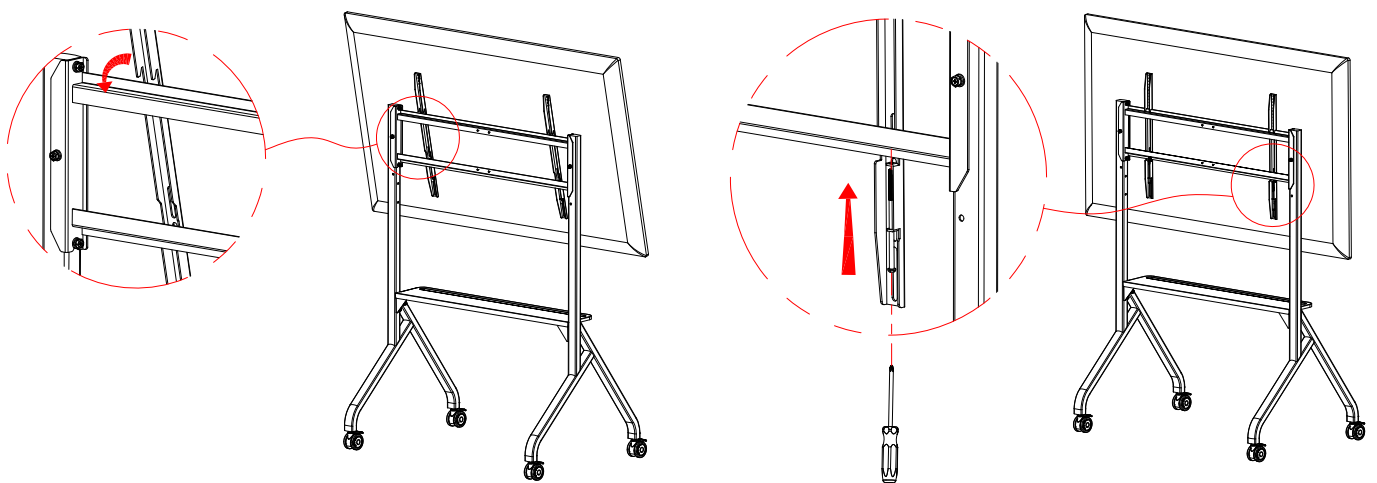


Figure 5

Step 6:

The effect after installation is as following:

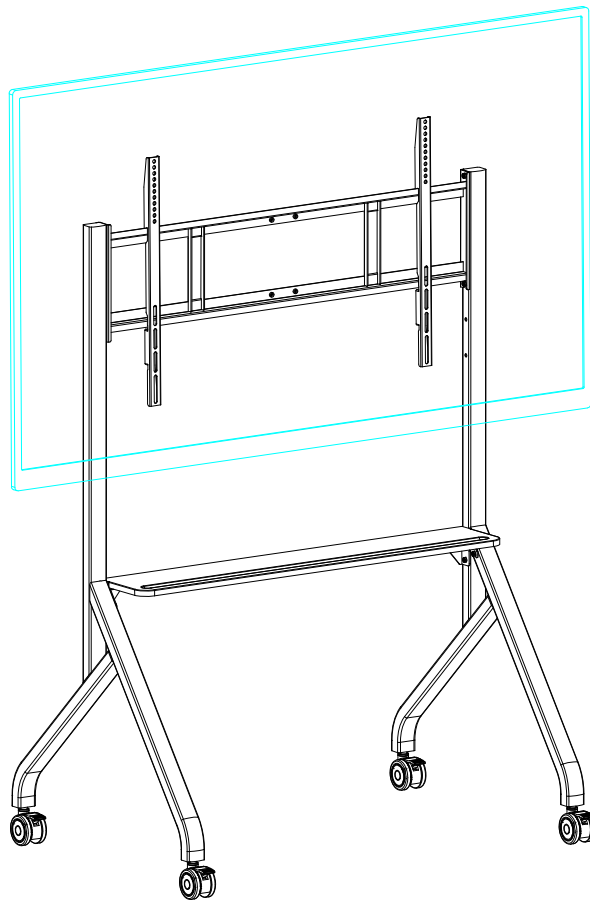


Figure 6