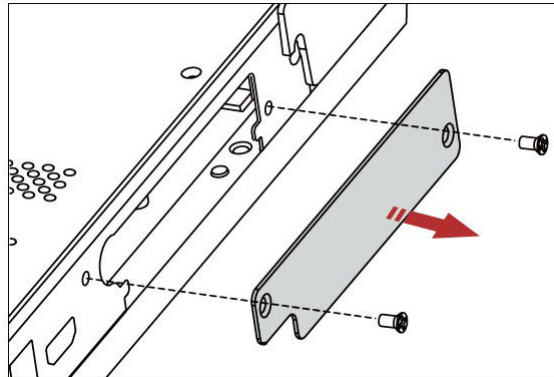


How to Install Wi-Fi Modules

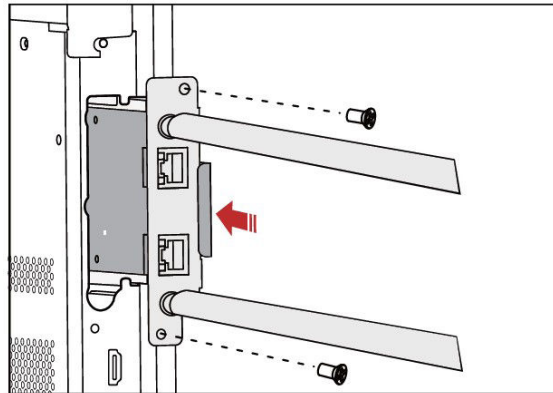
Perform the following steps to install the Wi-Fi Module on the NT+ Series.

Step 1: Remove the Wi-fi module cover by unscrewing the two screws securing the cover to the panel. The Wi-Fi module cover and screws should be saved if the panel will be transported in its original packaging in the future.



Step 2: Insert the Wi-Fi module into the open port on the rear of the panel until it is firmly seated.

Note: Insert the Wi-Fi module with the black fins facing outward towards the wall.



Step 3: Use the new M3*6 screws provided with the Wi-Fi module to secure it to the panel.

Note: Do not over tighten screws.



Caution

The Wi-Fi Module does not support hot plugging. Therefore, you must insert or remove the Wi-Fi Module when the display is powered off. Otherwise, the displays or Wi-Fi Module may be damaged.

Contact Us

Still need additional assistance? Contact our Technical Support Team at 833-469-9520, ext 5000 or support@newline-interactive.com.