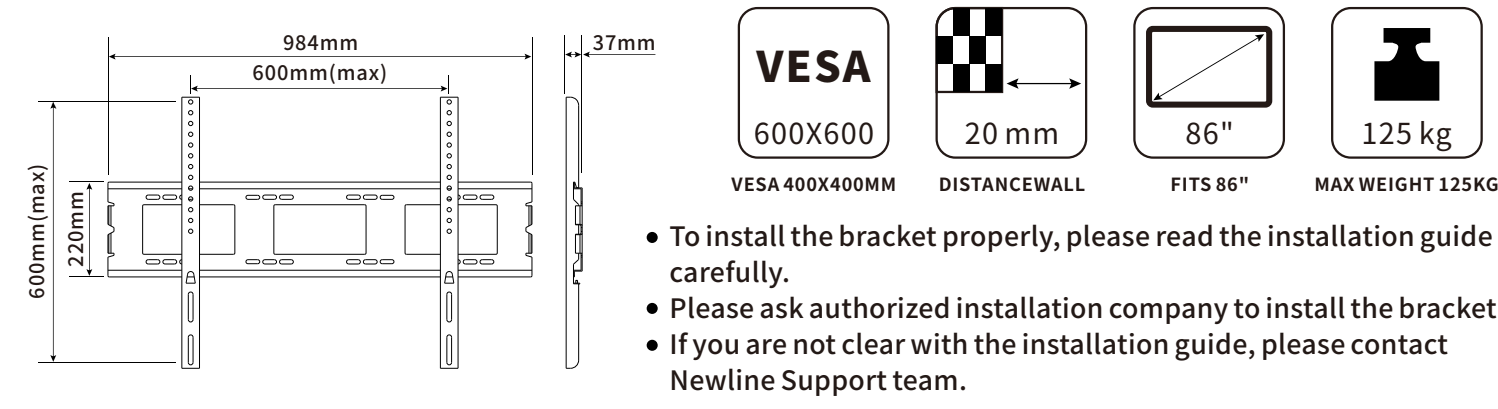
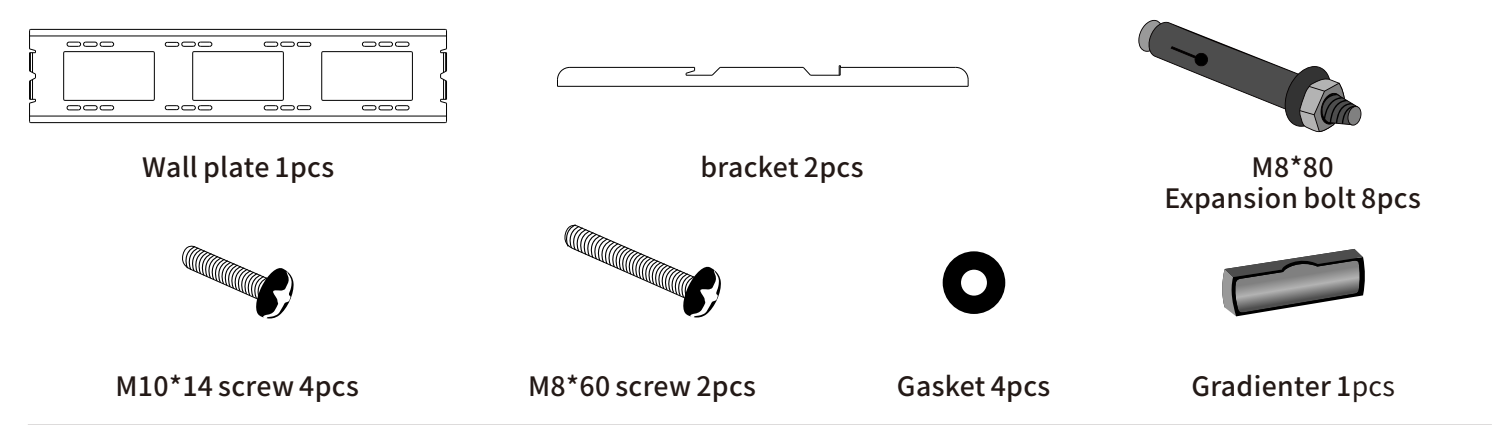


Wall Mounting Bracket Installation Guide



Part list:

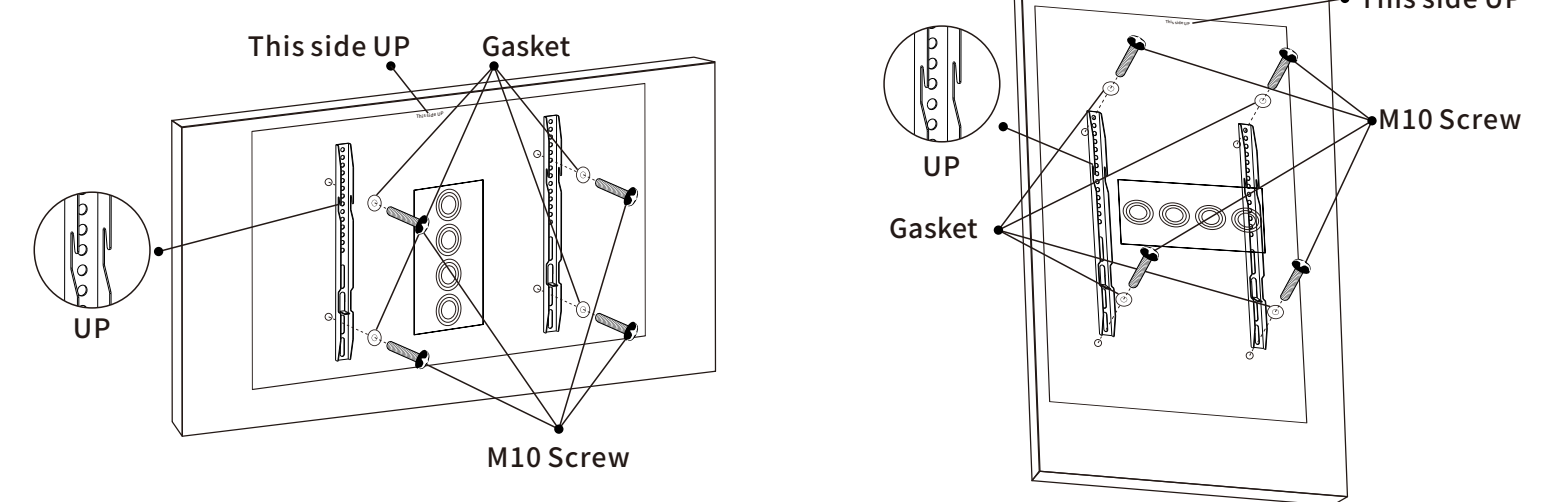


Installation Instructions:

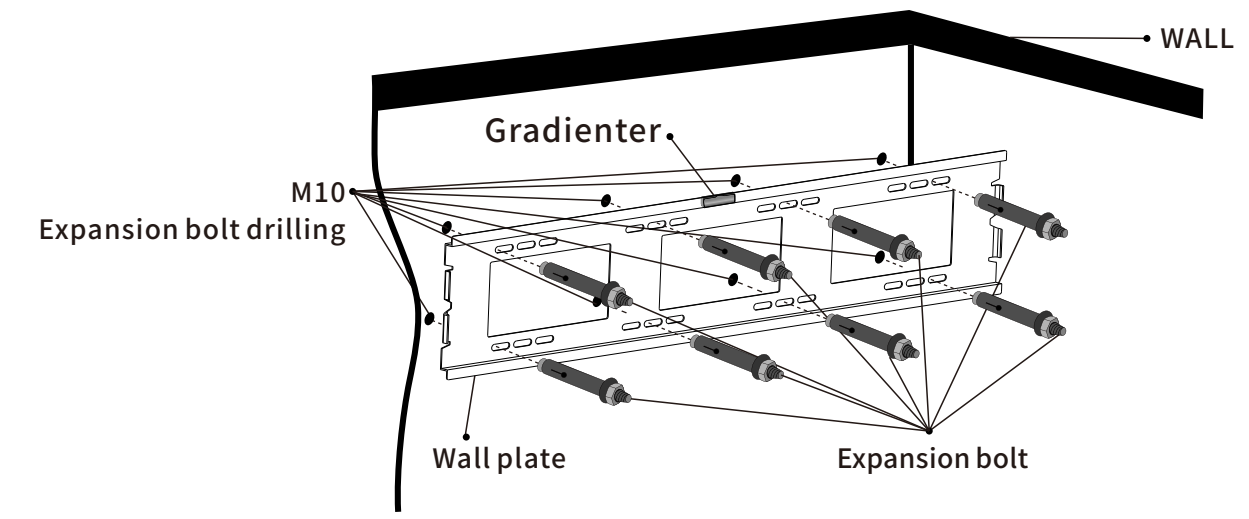
- When installing the display and this wall mounting bracket, at least two professionals are required to perform all the installation operations. Do not attempt to install without any training, so as to avoid personal injuries caused by misoperations.
- When installing, the installation position should be specified by professionals, so that its strength can support the gross weight of the display and the bracket for long time. Also, measures should be taken to make sure that the installation position has enough strength to bear outside forces. The hanging points should be stressed on the wall directly. Do not install at positions without enough strength, such as decorative materials or cardboard pasted on the wall.
 - The installation height should be appropriate to your viewing angle.
 - To prevent accidental damage to the display and personal safety accidents, please avoid to install the bracket at positions that children are easy to touch as possible as you can.
- The bracket should be installed on vertical surface. Avoid to install on gradient surface, otherwise the display may fall off and cause personal injuries.
- If any screws or parts that assembled were loose or lost, switch off and unplug the display, and contact support team to repair.
- When installing the bracket, avoid places where are within strong electricity or strong magnetic field, avoid positions where are easy to cause noise or vibration, and avoid places where flammable gas is easy to leak.
- For Anti-glare and better viewing experience, avoid to install the bracket in places where there is direct strong light.
- To prevent fire, avoid to install the bracket in places with bad conditions, such as heavy smoke, strong wind, moisture or high-temperature heat source.
- When installing, make sure the metal parts and screws are connected tightly, so as to prevent the screws from loosening to cause the display falling off and personal injuries.
- Read and understand this installation guide seriously, and follow all the instructions strictly. Our company does not bear responsibility for any damage and loss caused by improper installation and operations.

1. Assembly Steps:

Select four M8 screws and washers (included in the package) based on the hole sizes on the back of the monitor to secure the two brackets to the rear of the display.
 Note: Ensure both brackets are at the same height and positioned at the center of the monitor's back. Verify the brackets are oriented correctly.
Supports both horizontal and vertical installation.



2. Use four expansion bolts to locate the wall panel at a suitable position on the wall. Drill holes to ensure the screws are securely fastened into the wall.
 Note: Use a gradienter to adjust the position of the wall plate and make sure it is leveled on the wall.



3. Before hanging the display on the wall, please connect the power cable and signal cable at the display end, and do not connect the other end to the power supply (do not install with electricity). Hang the brackets fixed to the display into the wall plate, and then hook the bracket properly as illustrated. Please make sure that the installation is completed before turning on the power.

